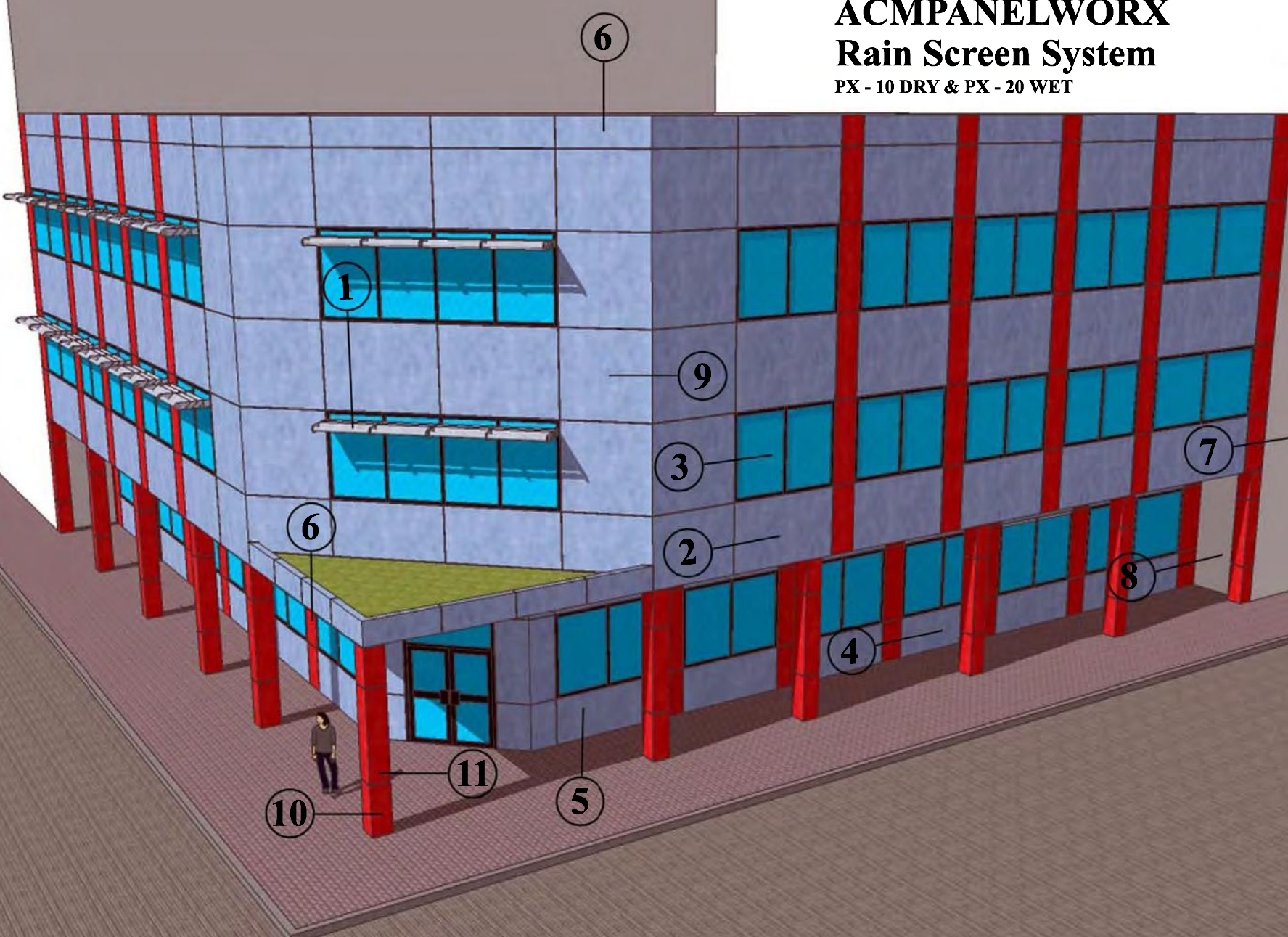
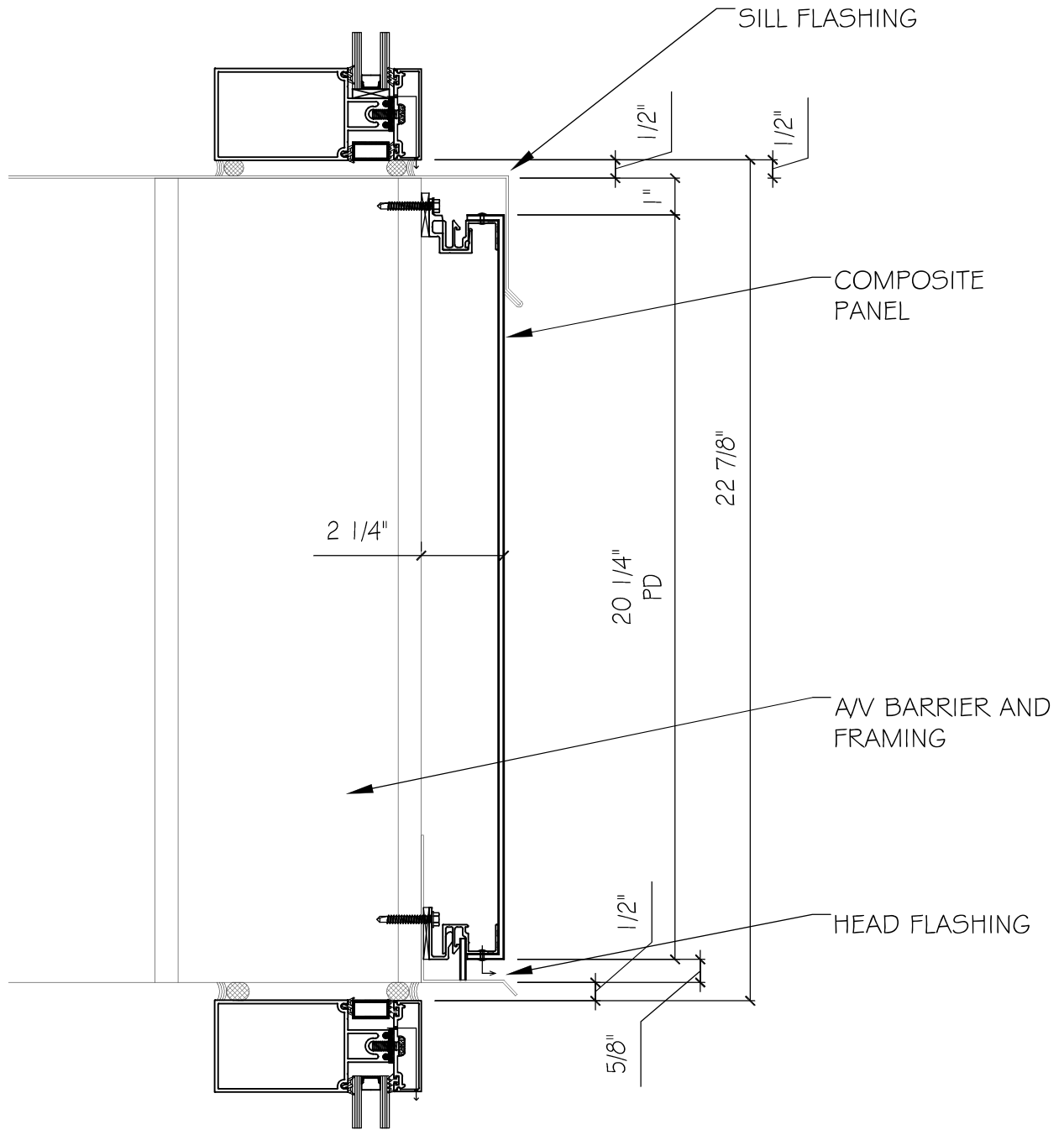


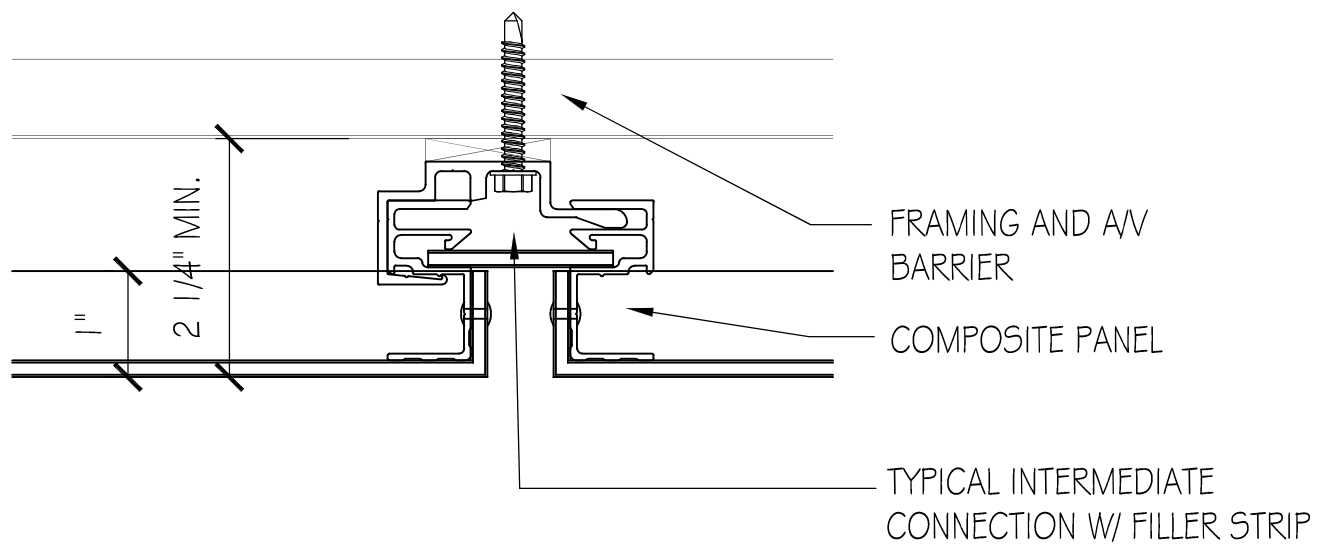
Details

ACMPANELWORX Rain Screen System PX - 10 DRY & PX - 20 WET

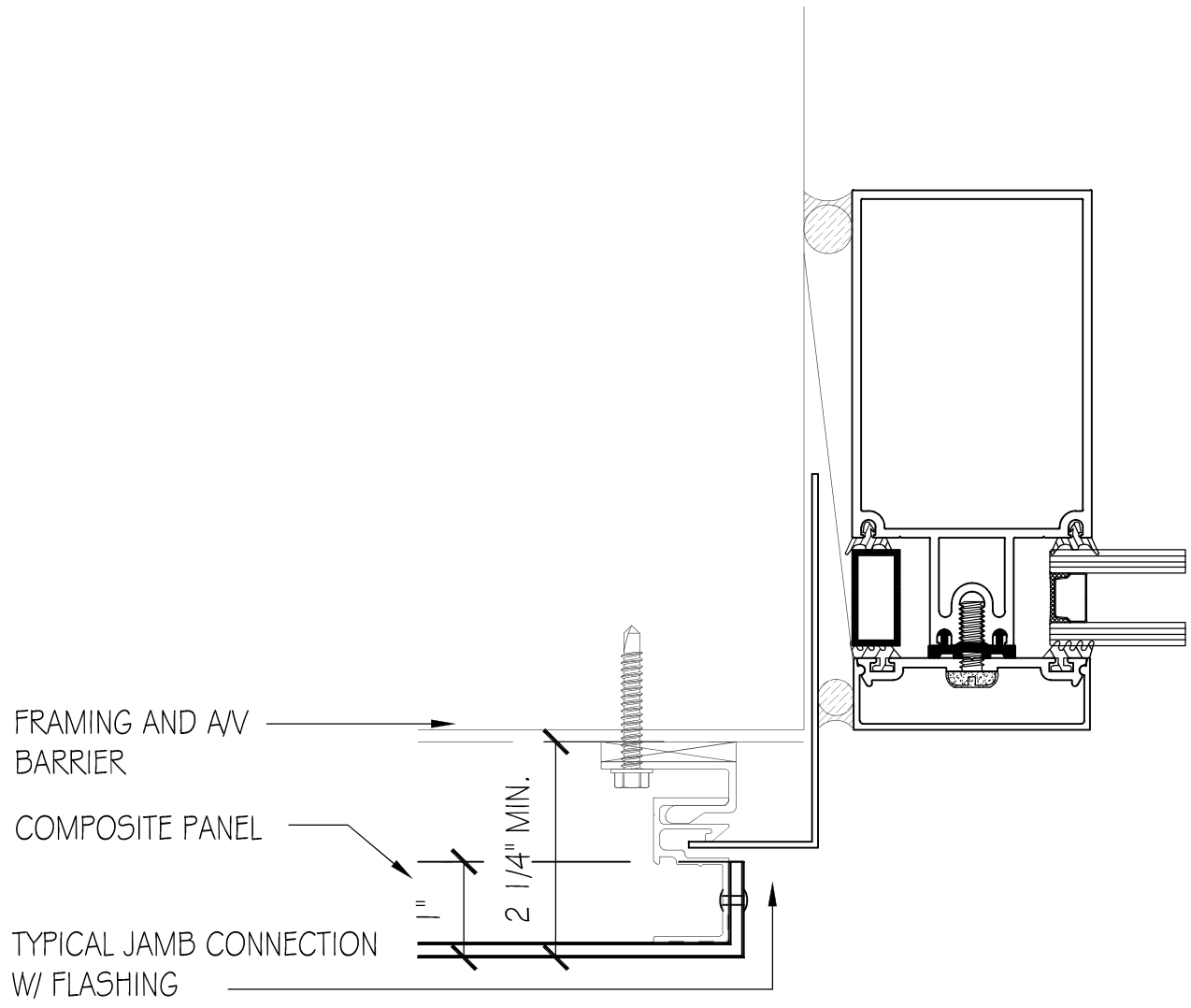




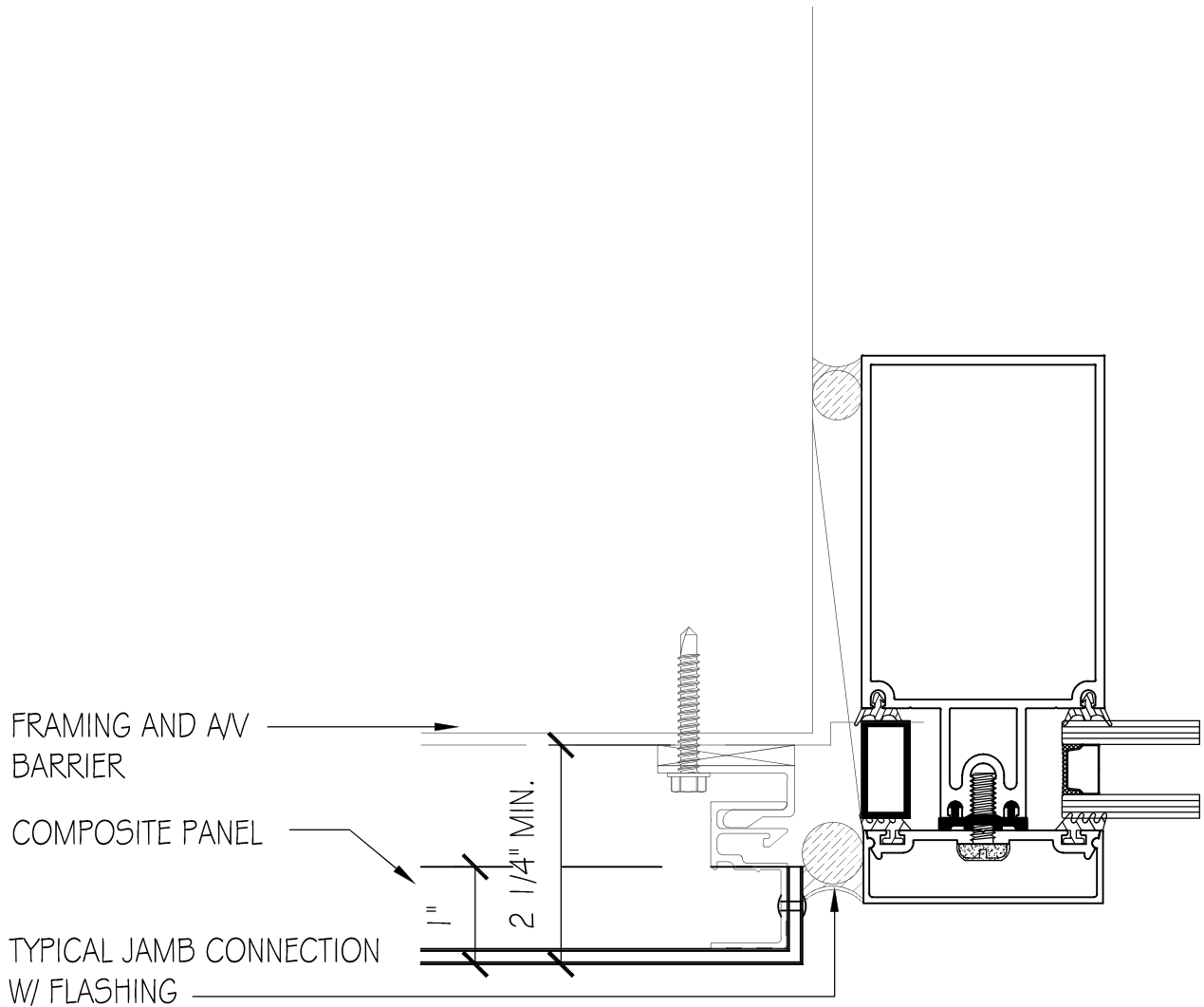
① HEAD & SILL AT WINDOW DETAIL



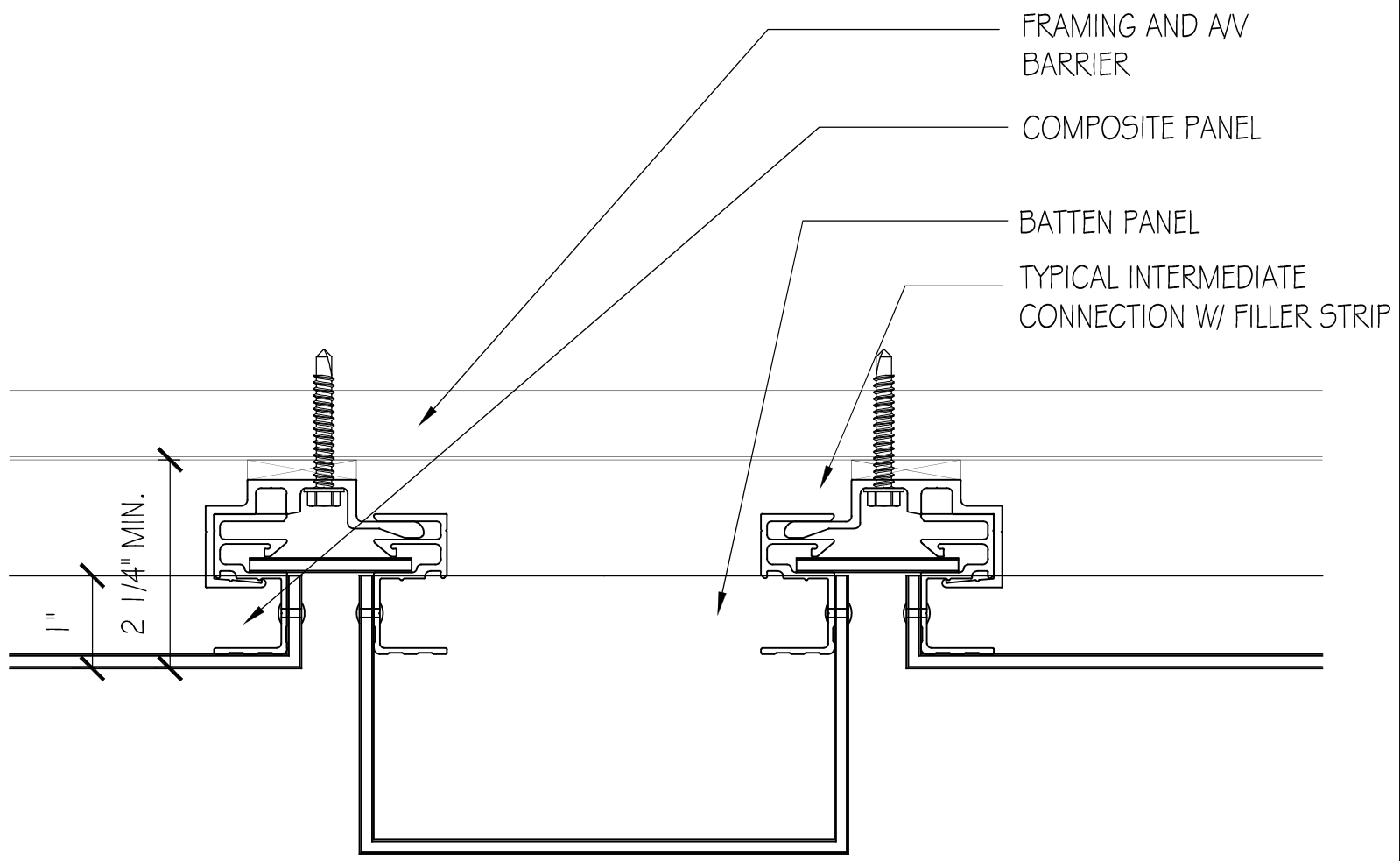
② INTERMEDIATE JOINT DETAIL



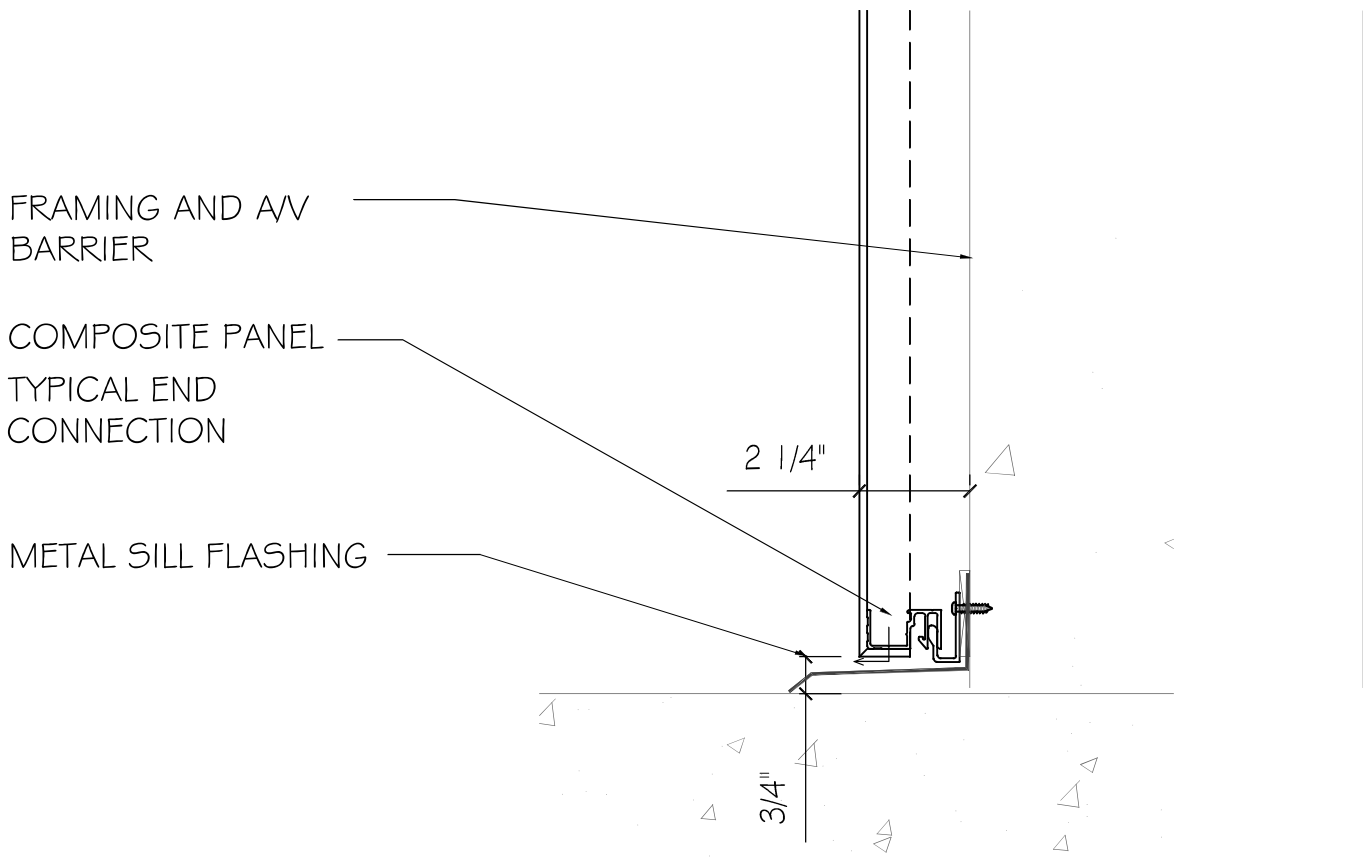
③ JAMB TO WINDOW DETAIL- CONDITION 1



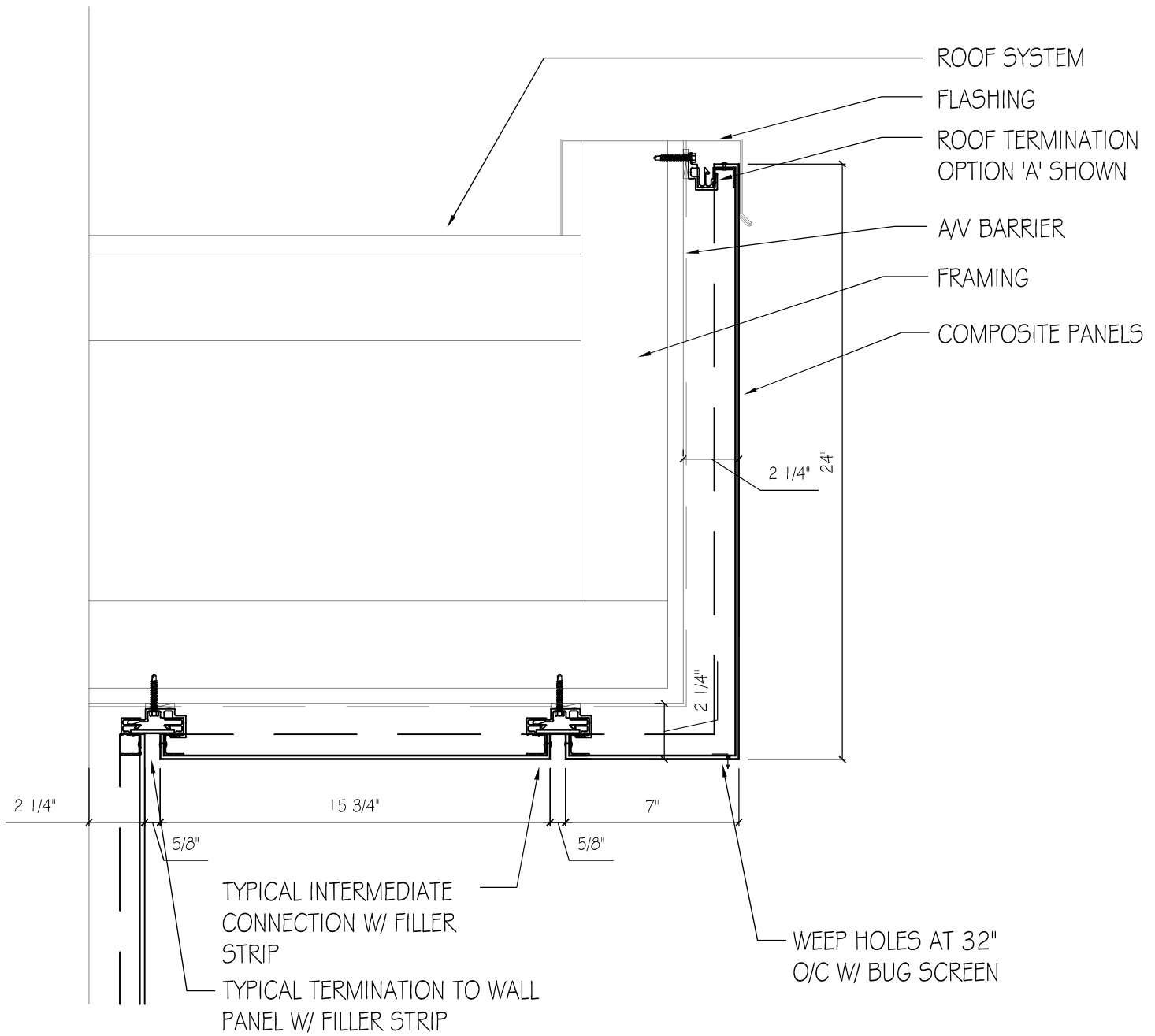
③ JAMB TO WINDOW DETAIL- CONDITION 2



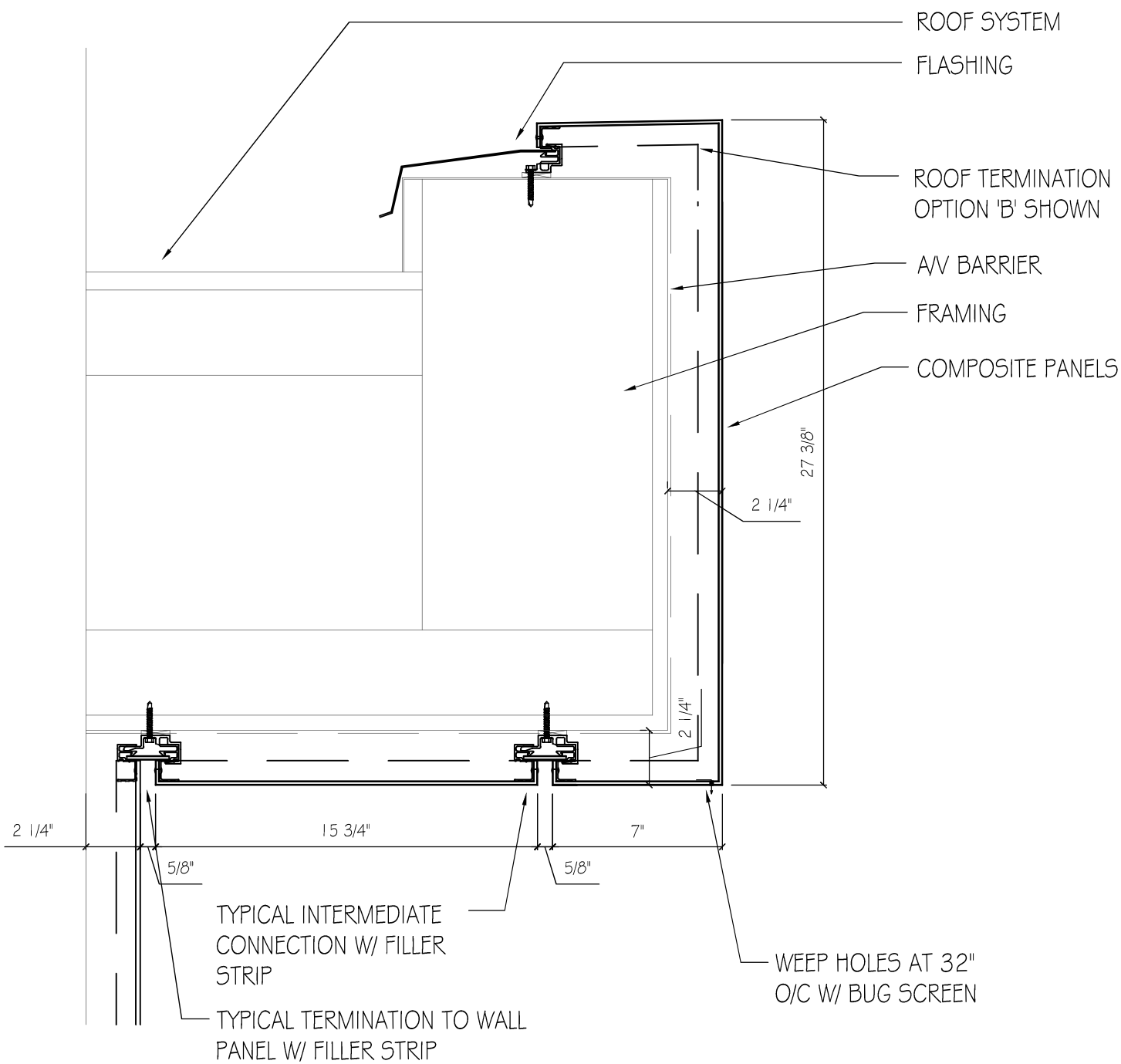
④ BATTEN DETAIL



⑤ BASE CONDITION DETAIL



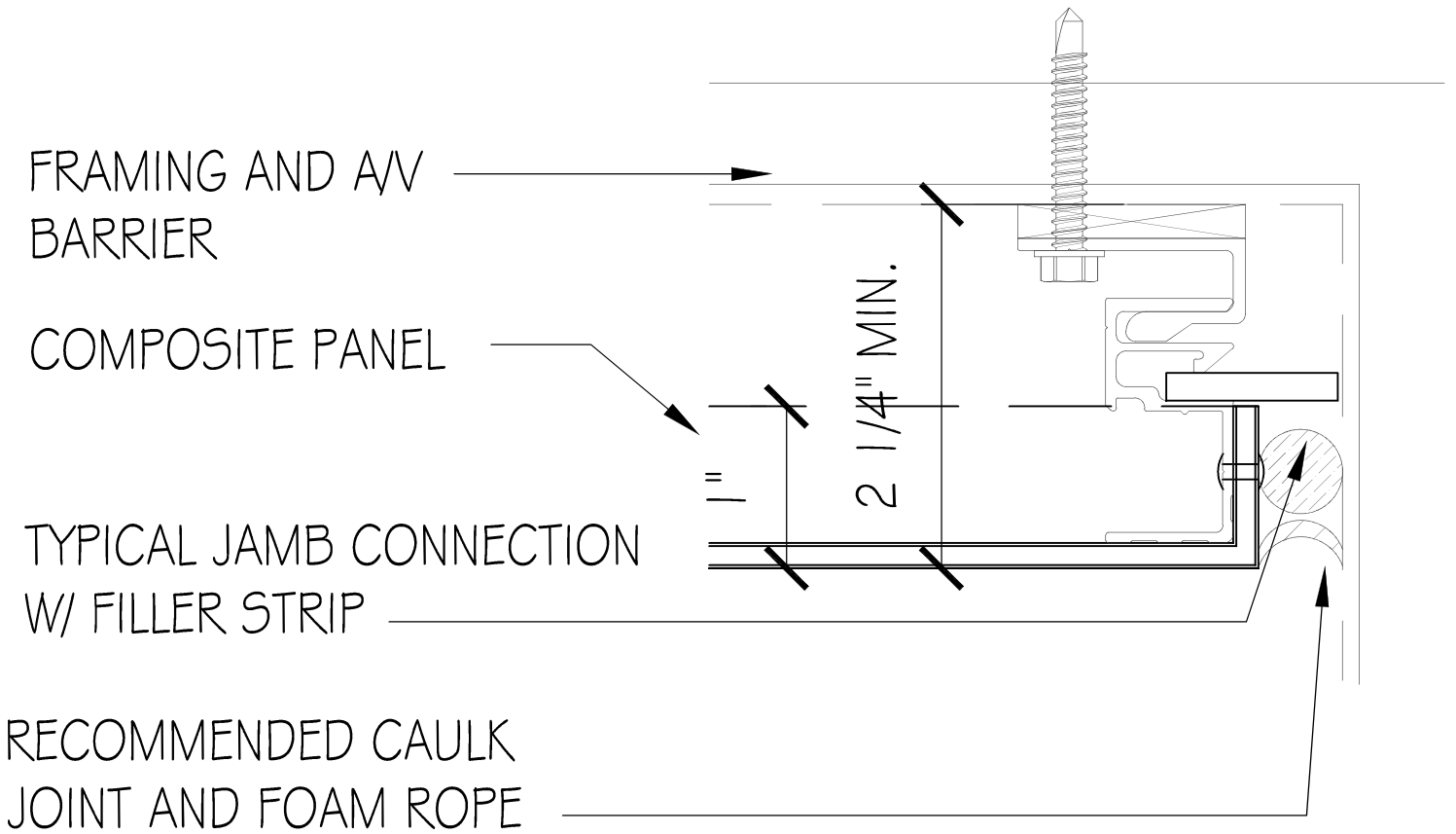
⑥ ROOF, SOFFIT, AND CANOPY DETAIL- OPTION A



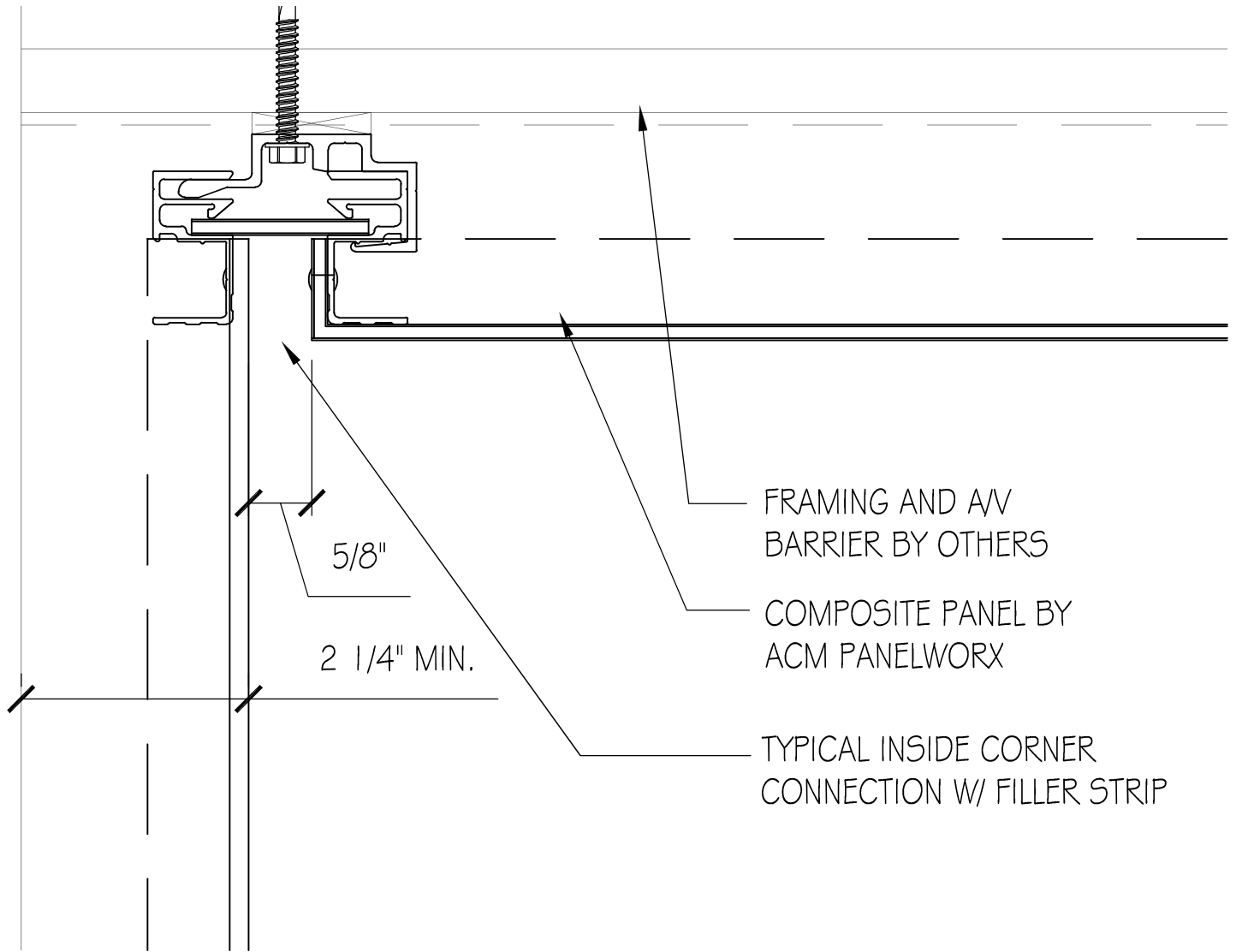
⑥ ROOF, SOFFIT, AND CANOPY DETAIL- OPTION B



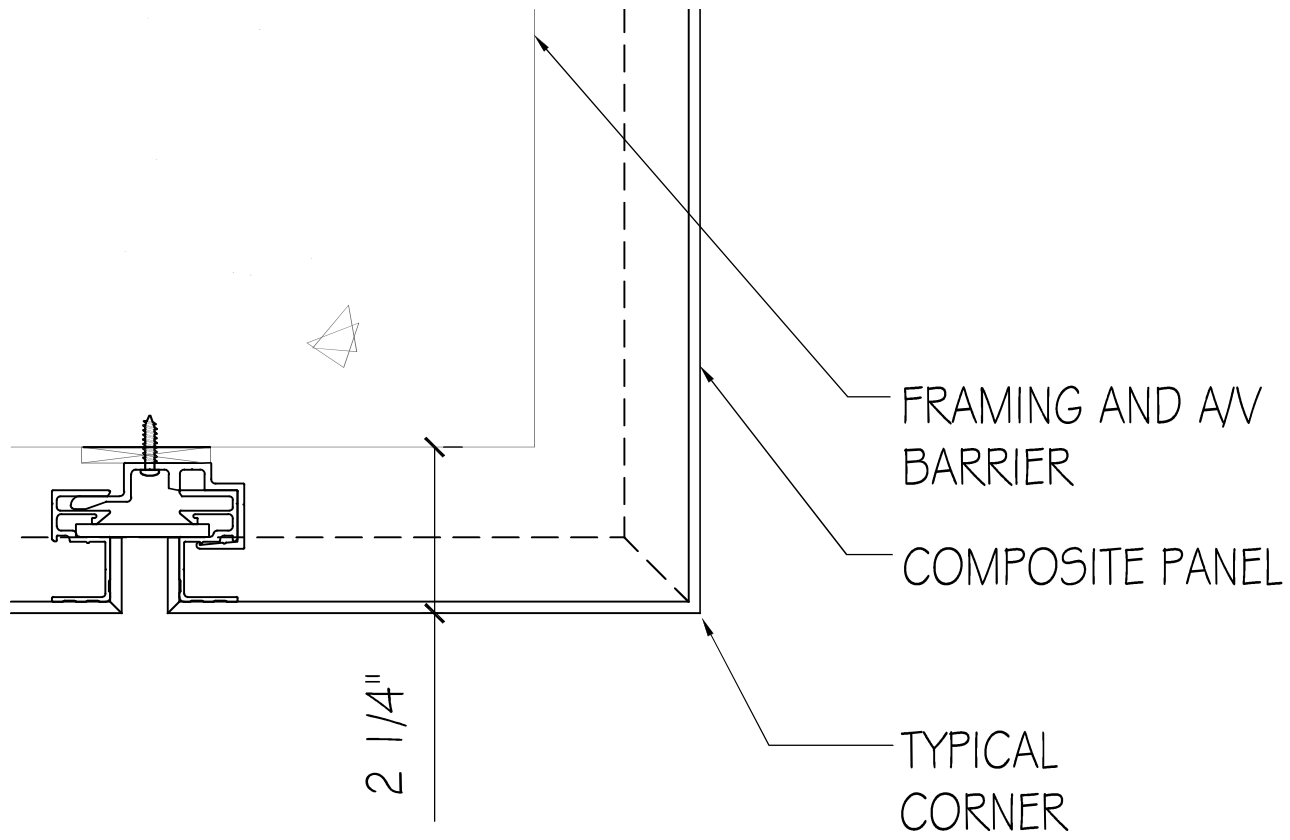
PX-10 RAIN SCREEN SYSTEM
WWW.ACMPANELWORX.COM



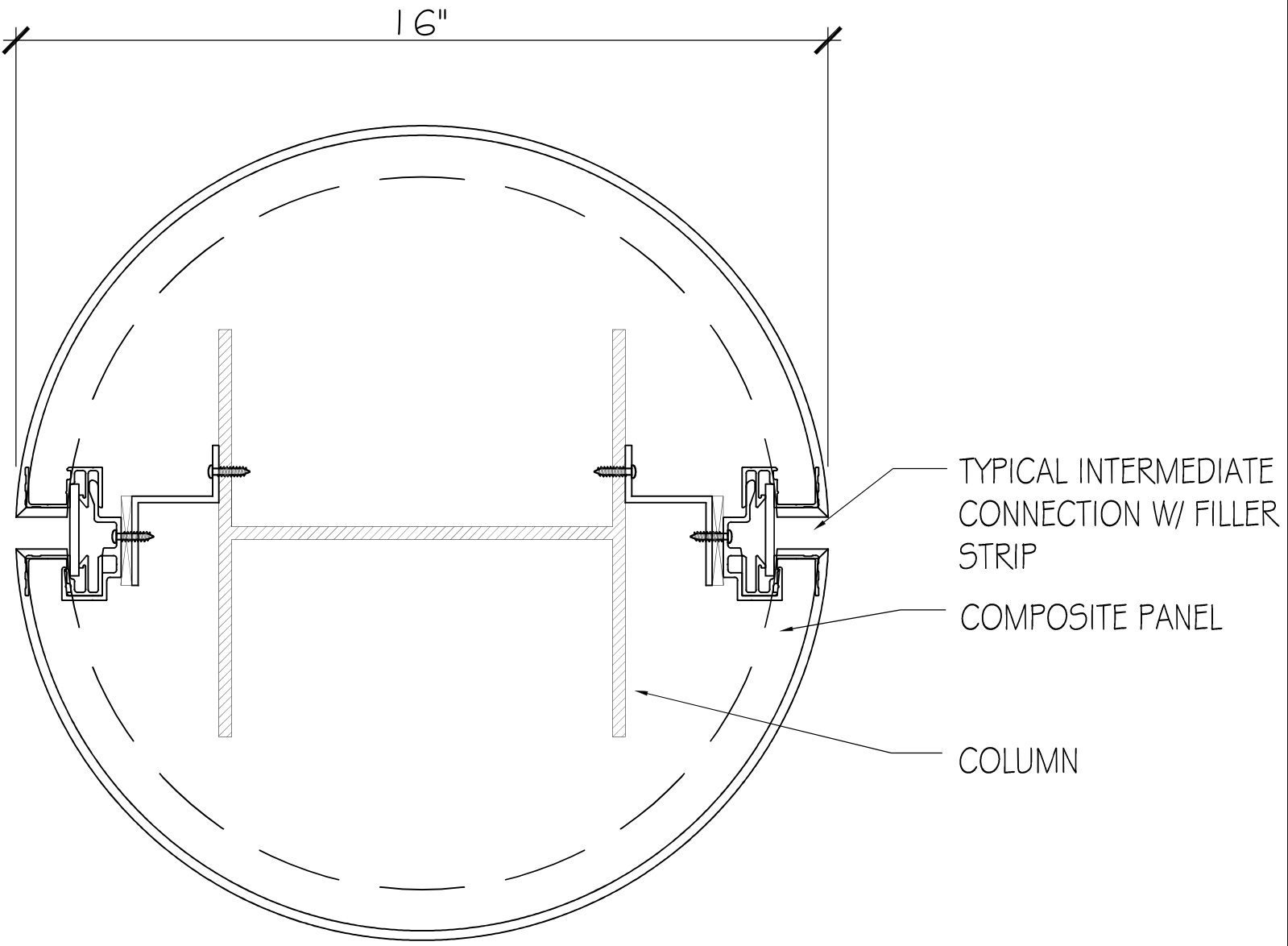
⑦ END OF RUN DETAIL



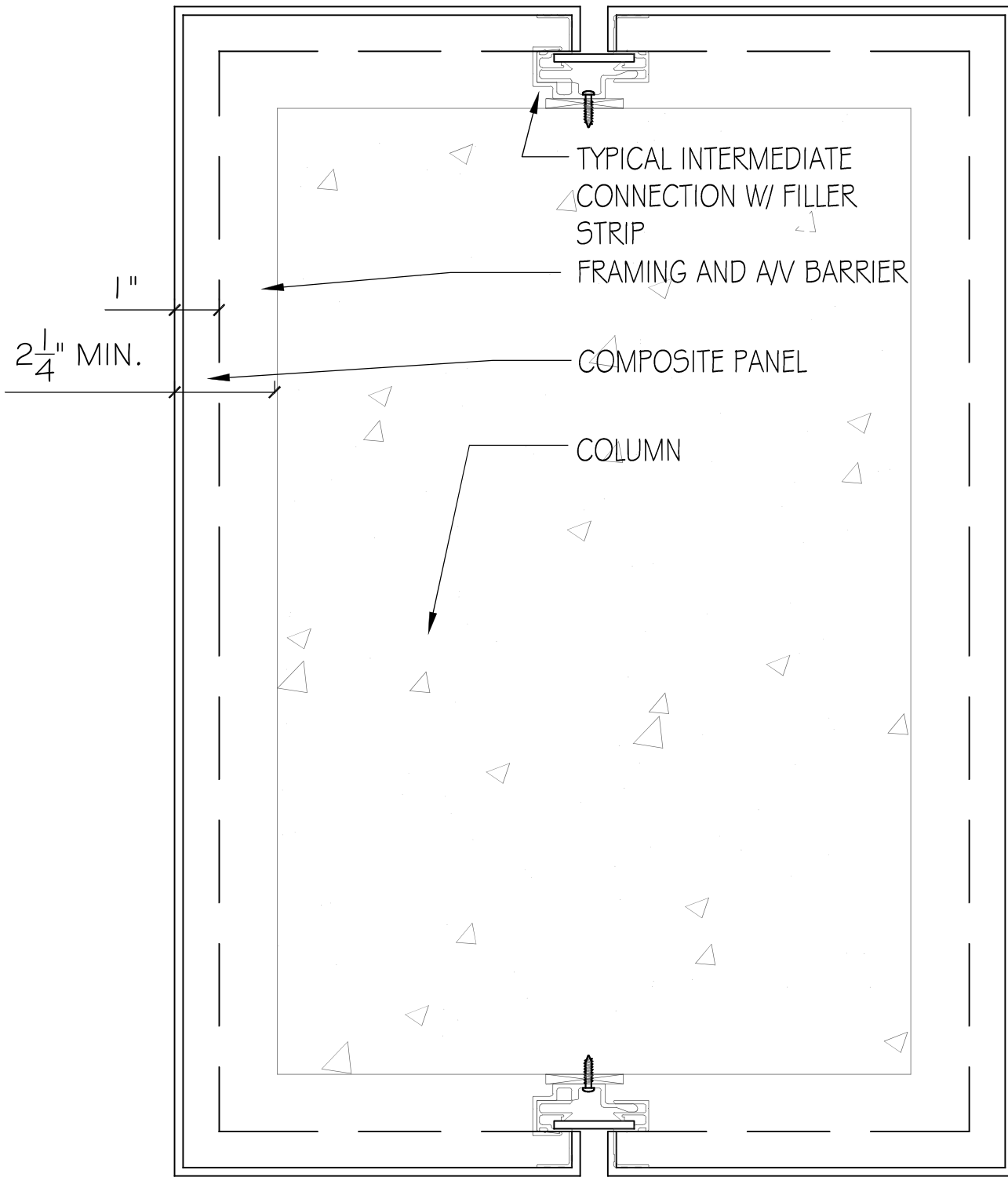
⑧ INSIDE CORNER DETAIL



⑨ CORNER DETAIL



⑩ ROUND COLUMN ENCLOSURE DETAIL



①① SQUARE COLUMN ENCLOSURE DETAIL