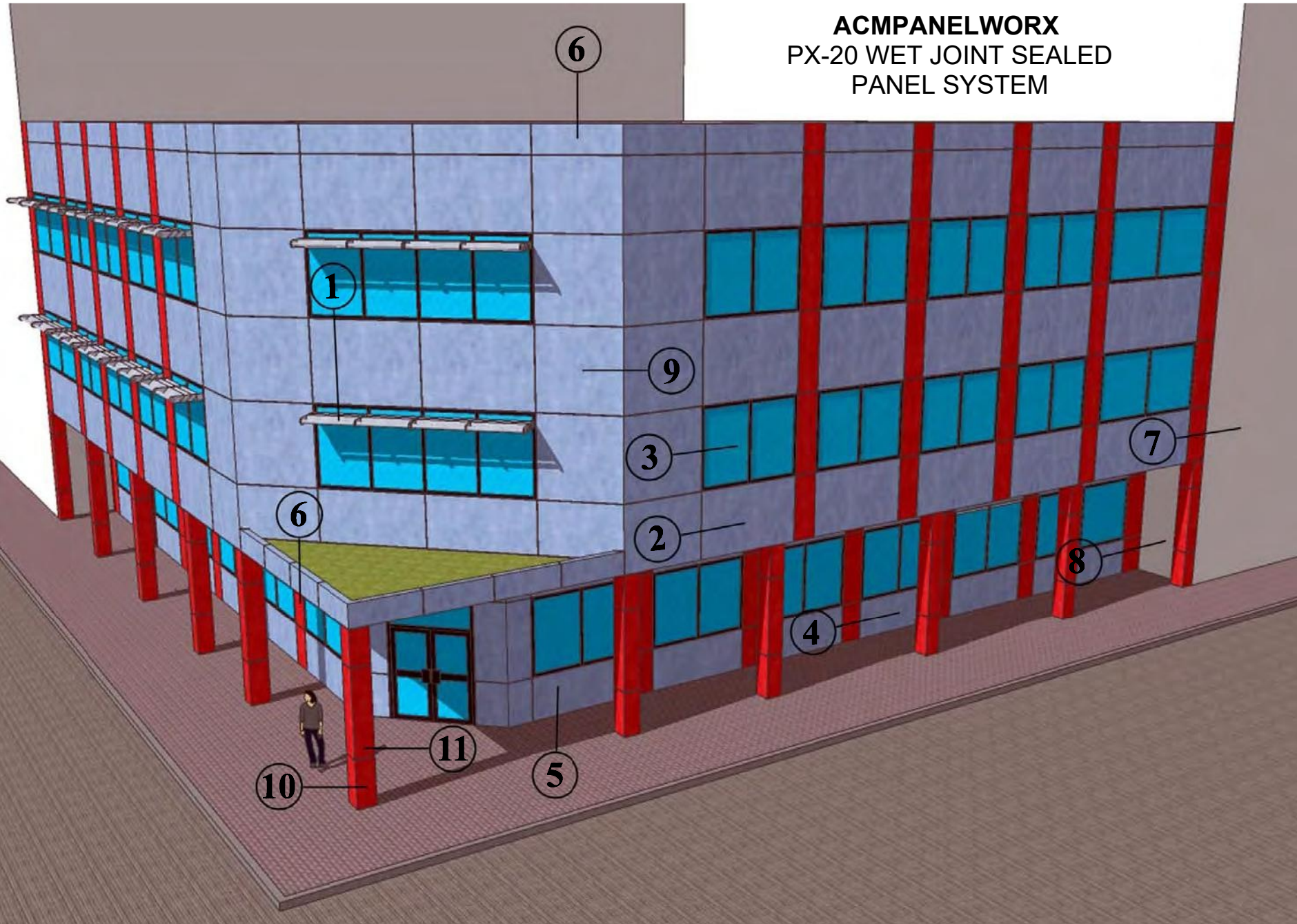
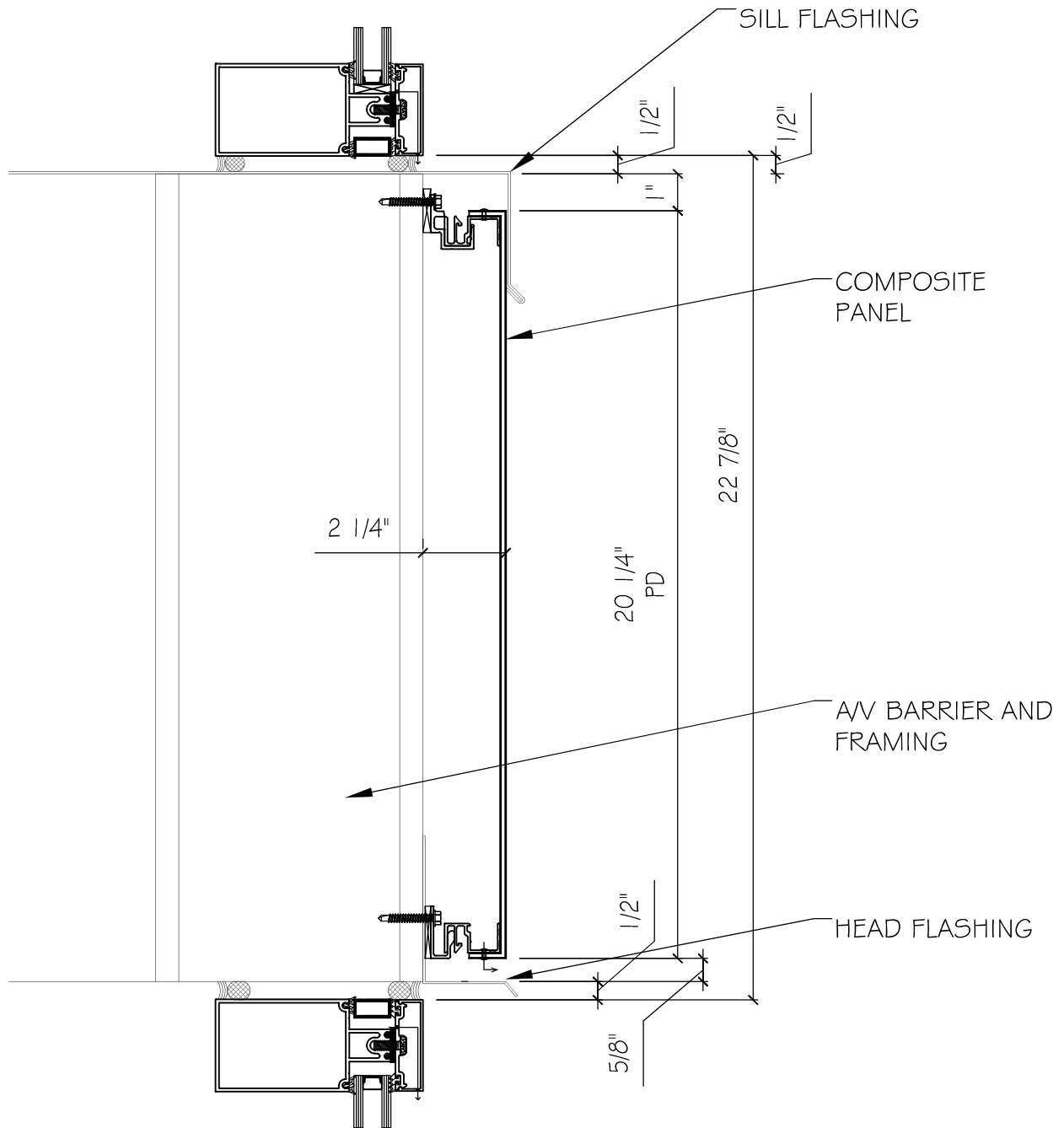


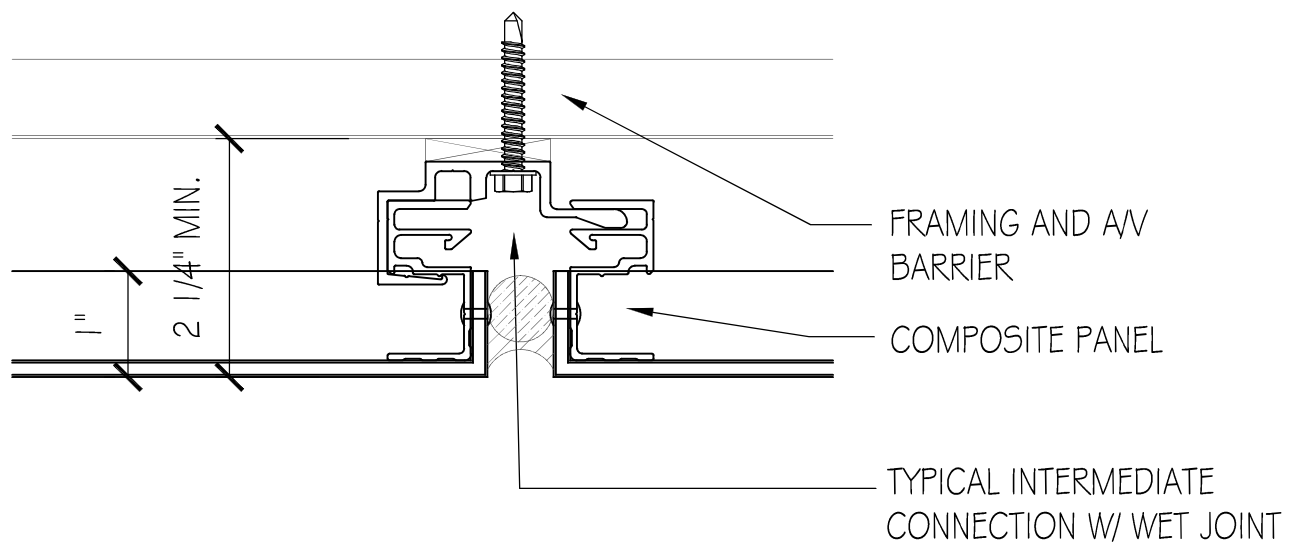
# *Details*

**ACMPANELWORX**  
PX-20 WET JOINT SEALED  
PANEL SYSTEM

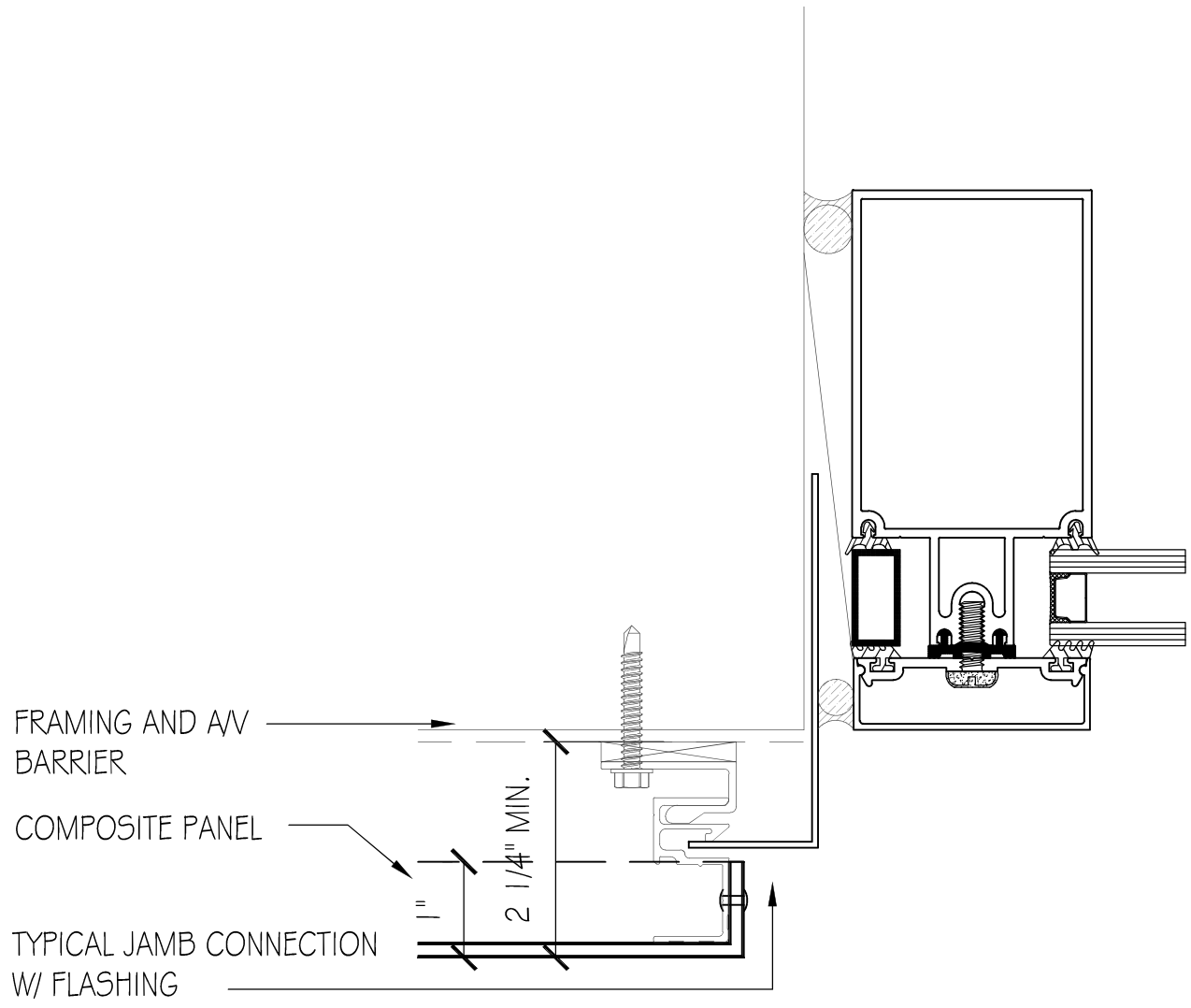




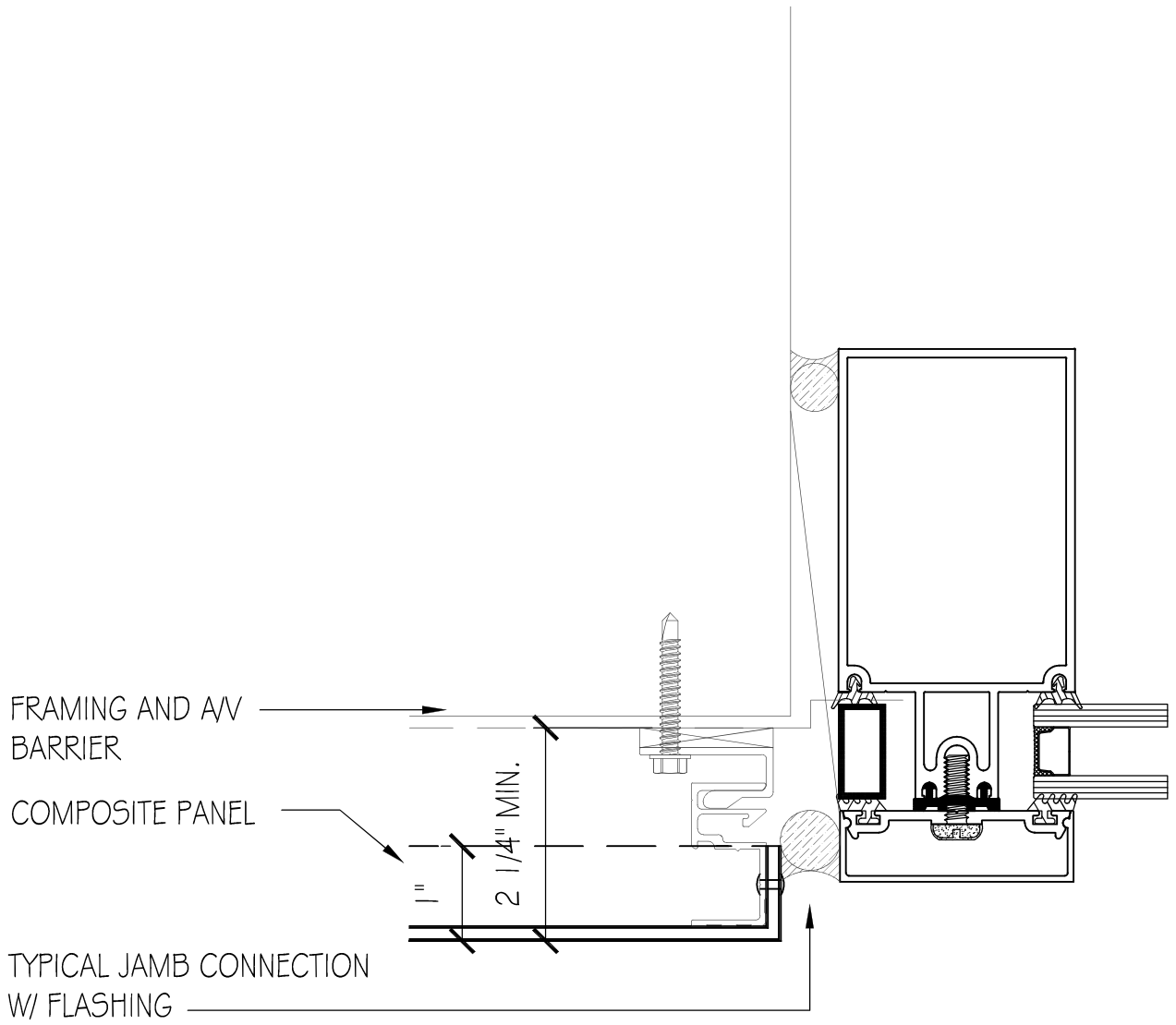
① HEAD & SILL AT WINDOW DETAIL



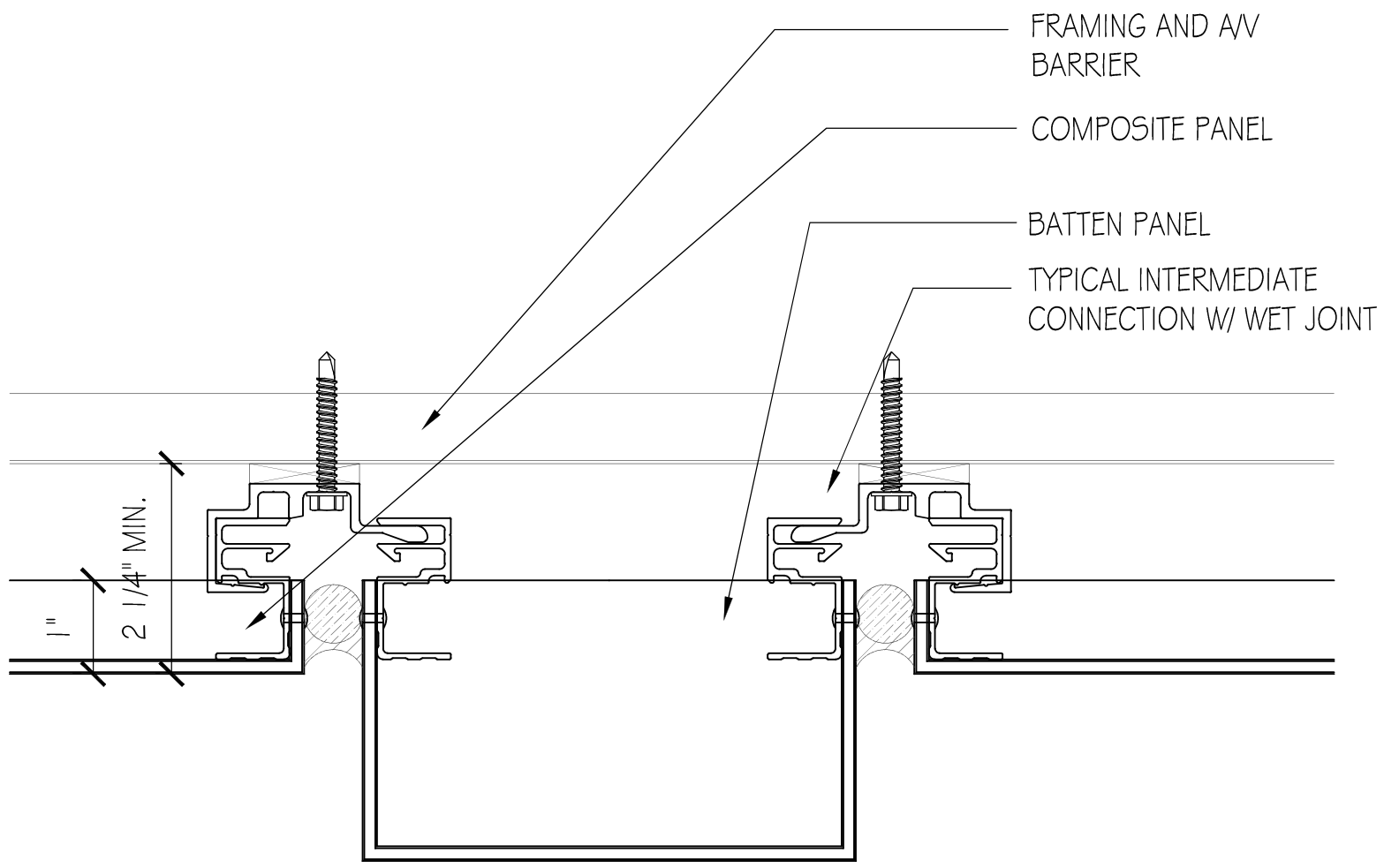
② INTERMEDIATE JOINT DETAIL



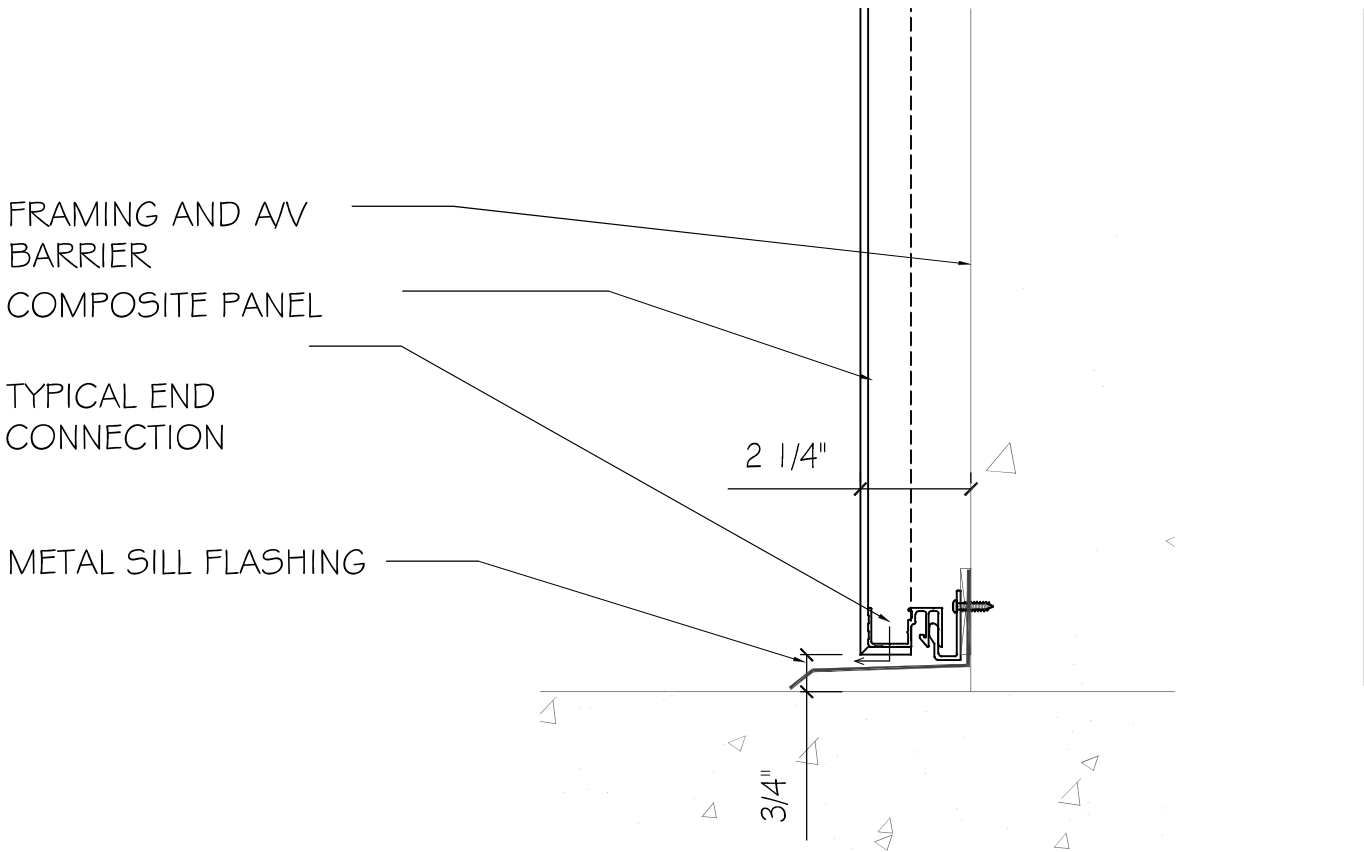
③ JAMB TO WINDOW DETAIL- CONDITION I



③ JAMB TO WINDOW DETAIL- CONDITION 2

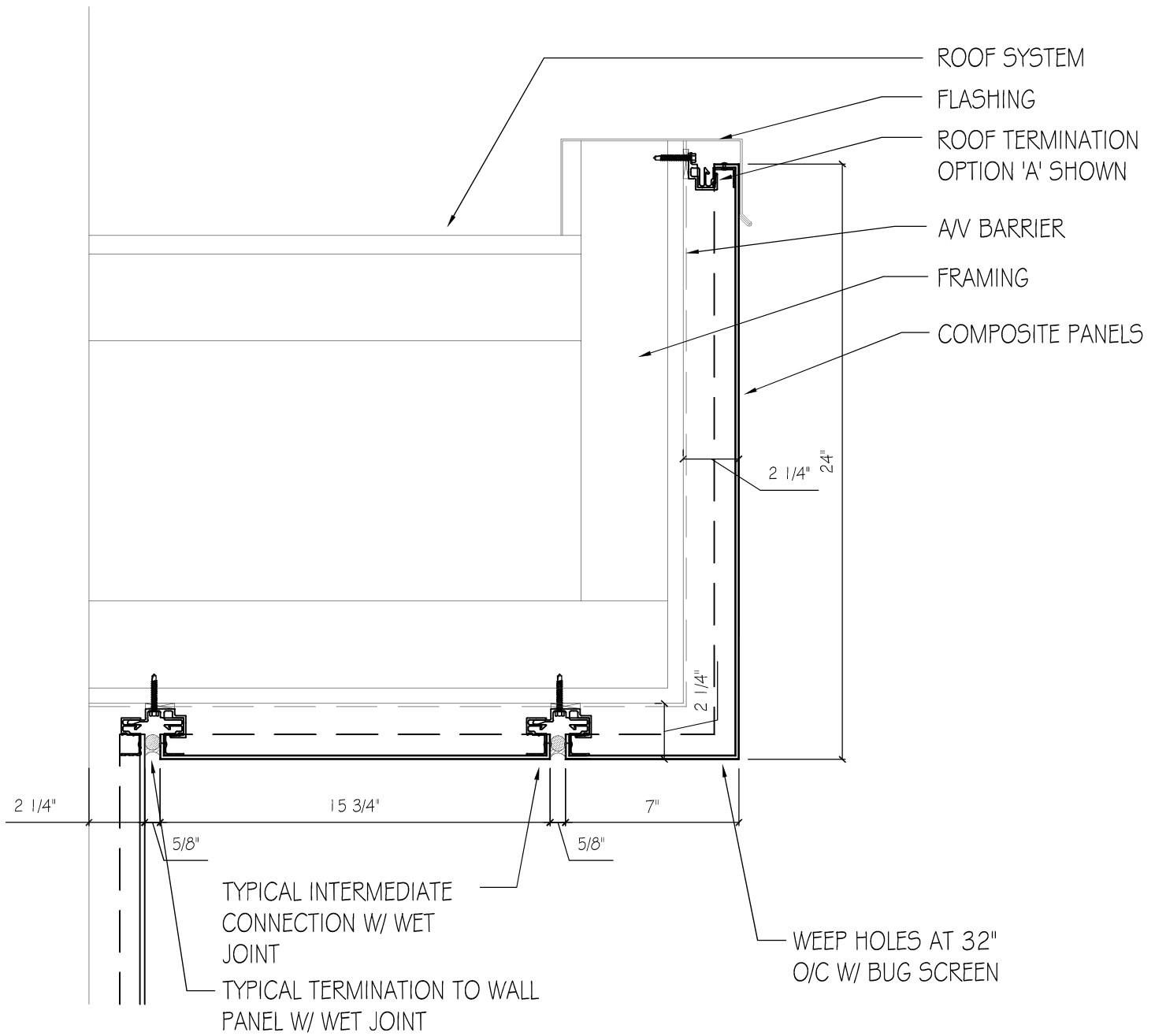


④ BATTEN DETAIL

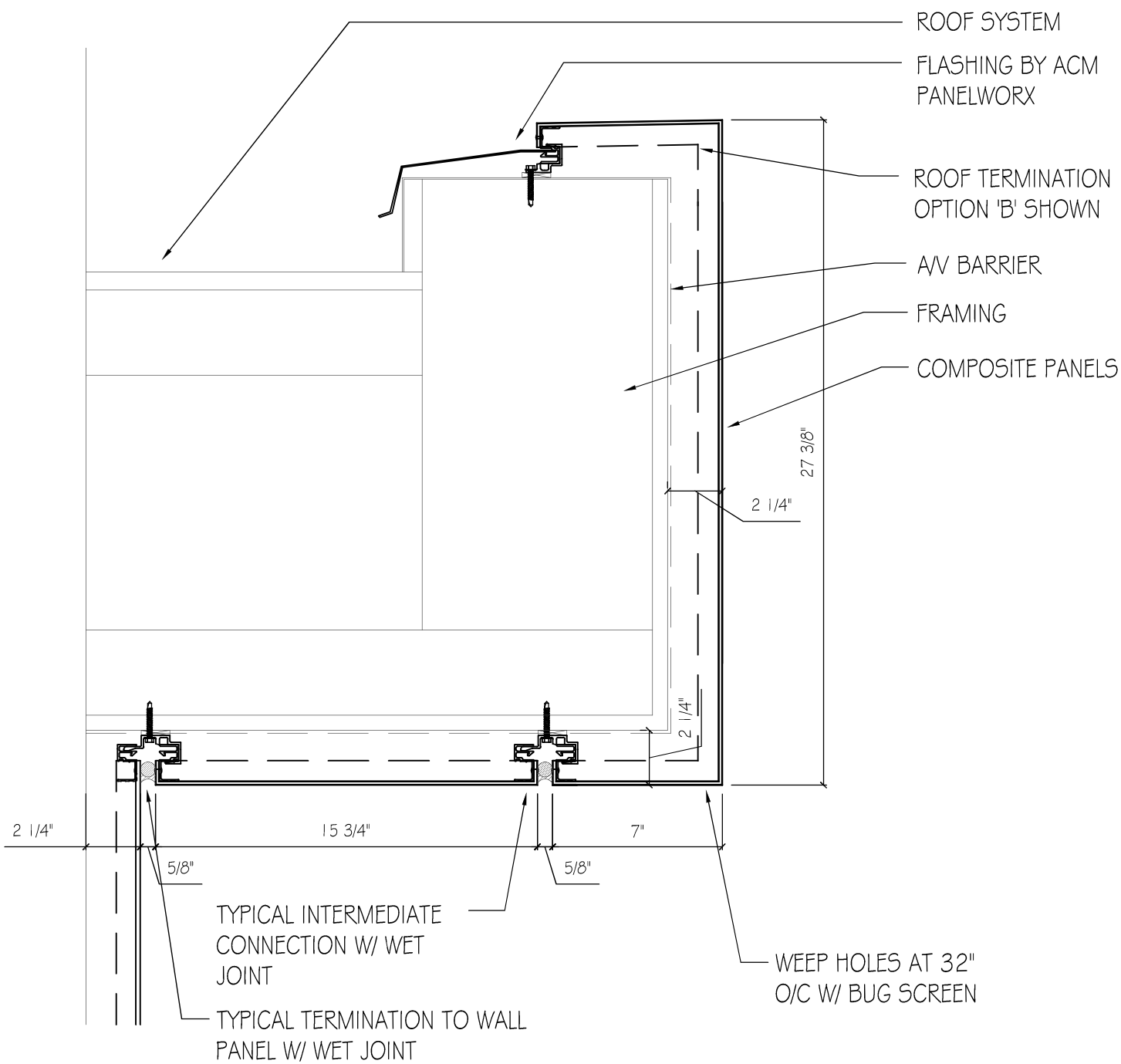


⑤ BASE CONDITION DETAIL





⑥ ROOF, SOFFIT, AND CANOPY DETAIL- OPTION A

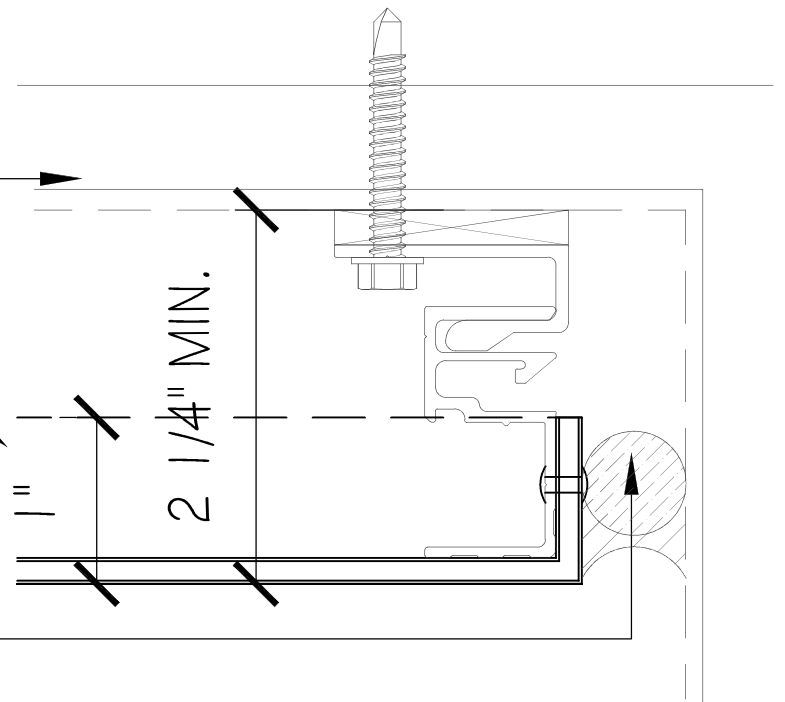


⑥ ROOF, SOFFIT, AND CANOPY DETAIL- OPTION B

FRAMING AND A/V  
BARRIER

COMPOSITE PANEL

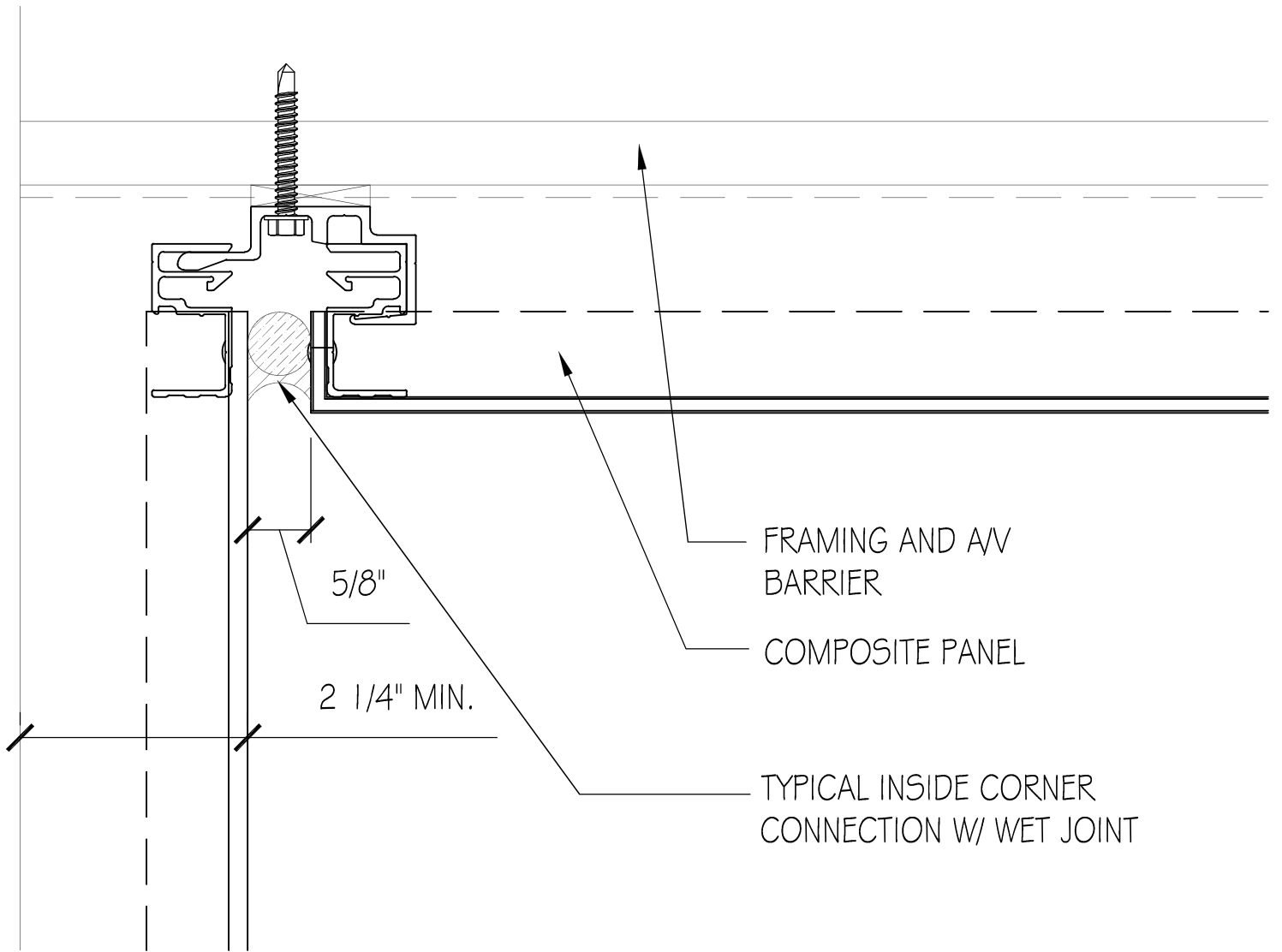
TYPICAL JAMB CONNECTION  
W/ WET JOINT



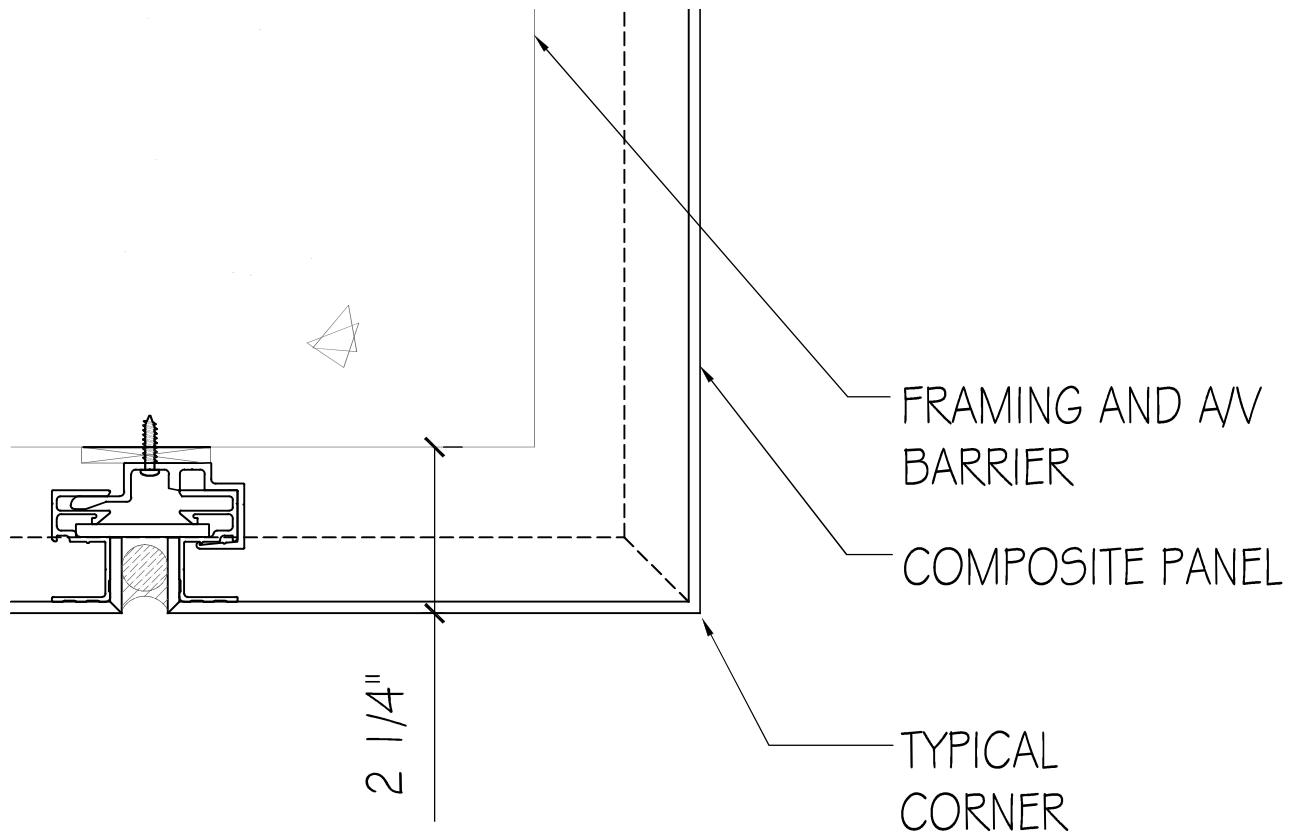
⑦ END OF RUN DETAIL

  
**ACM**panelworx  
COMPOSITE ALUMINUM PANELS

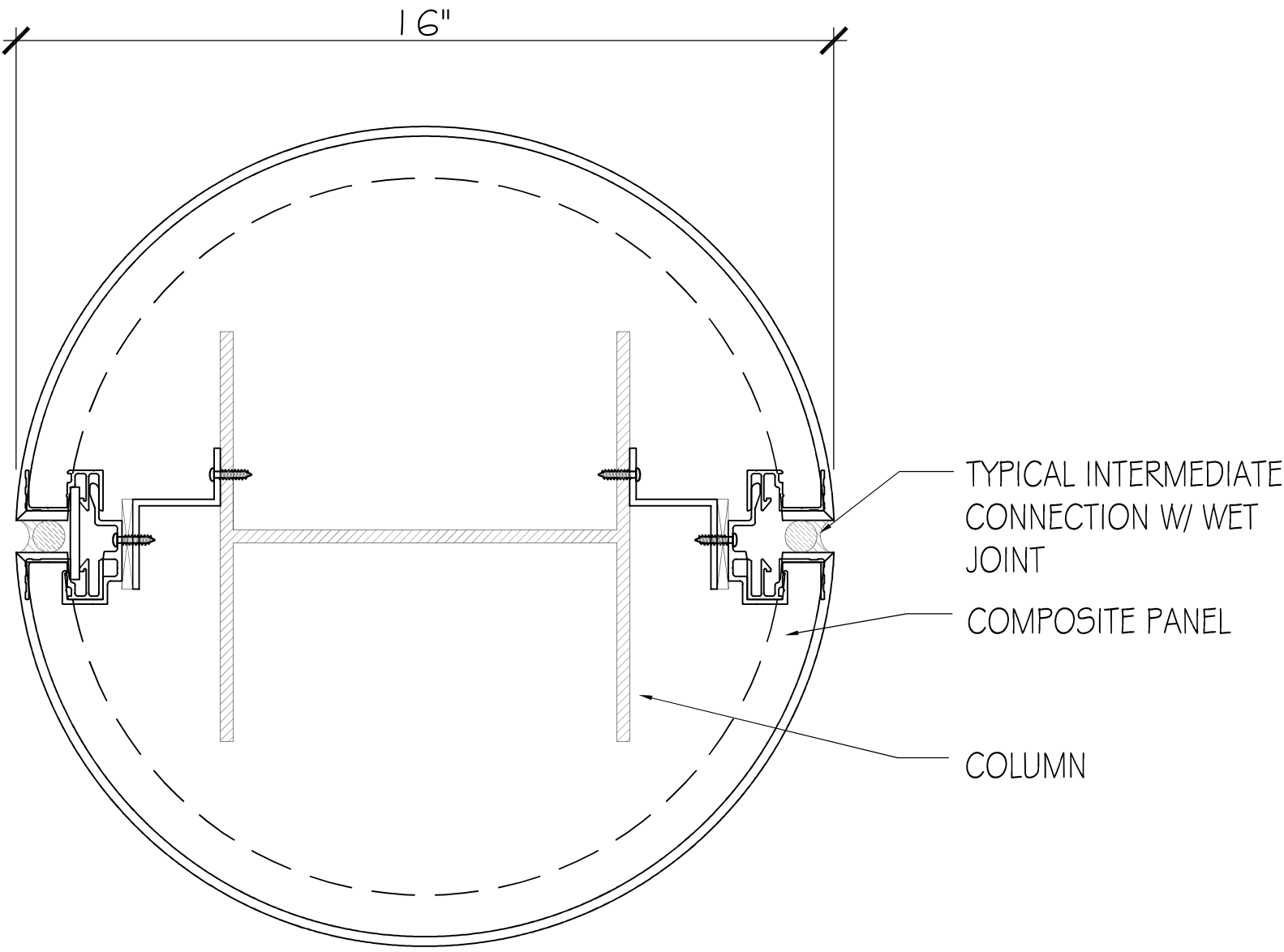
PX-20 RAIN SCREEN SYSTEM  
[WWW.ACMPANELWORX.COM](http://WWW.ACMPANELWORX.COM)



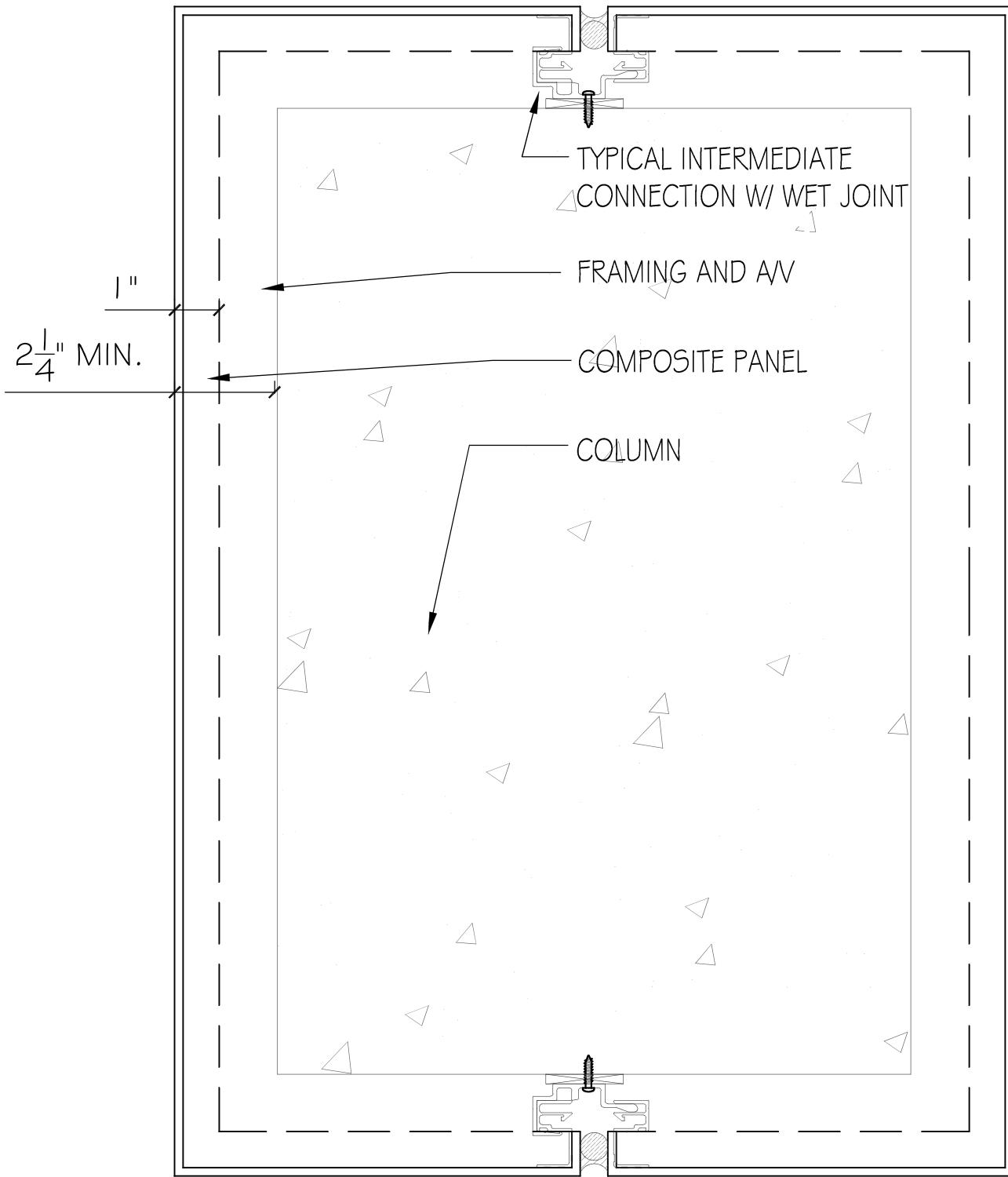
⑧ INSIDE CORNER DETAIL



⑨ CORNER DETAIL



⑩ ROUND COLUMN ENCLOSURE DETAIL



(11) SQUARE COLUMN ENCLOSURE DETAIL