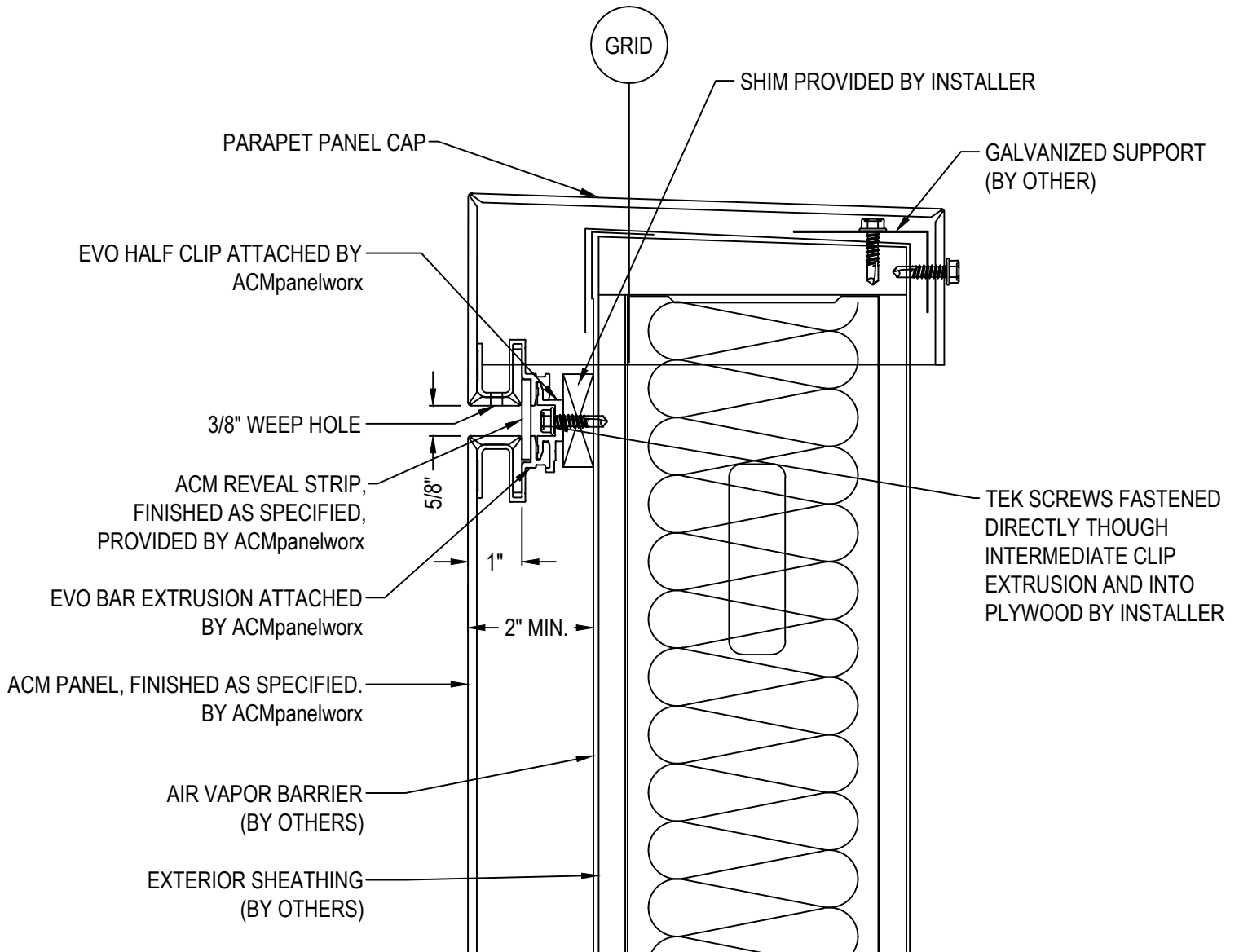
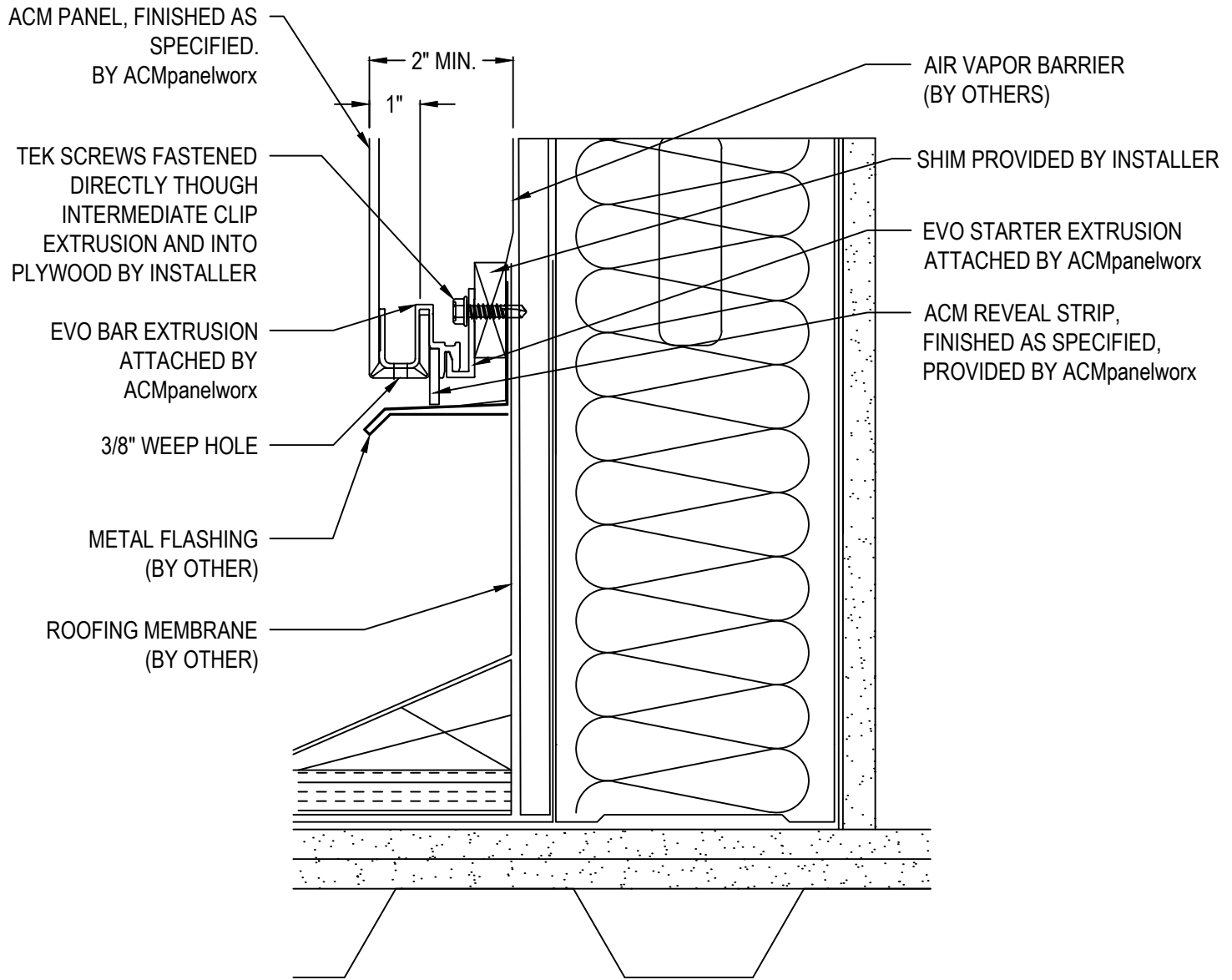


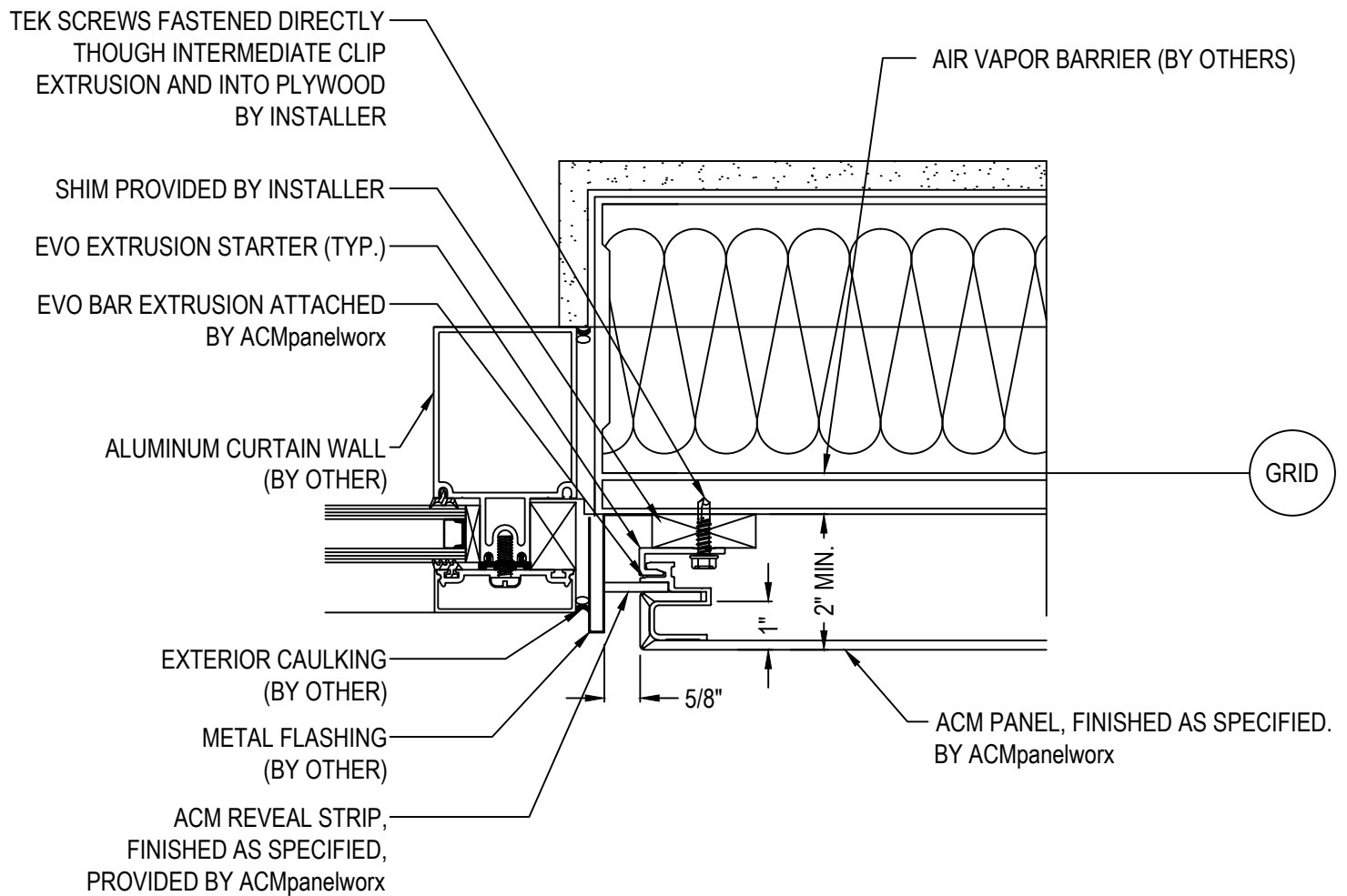
01 PARAPET CAP DETAIL



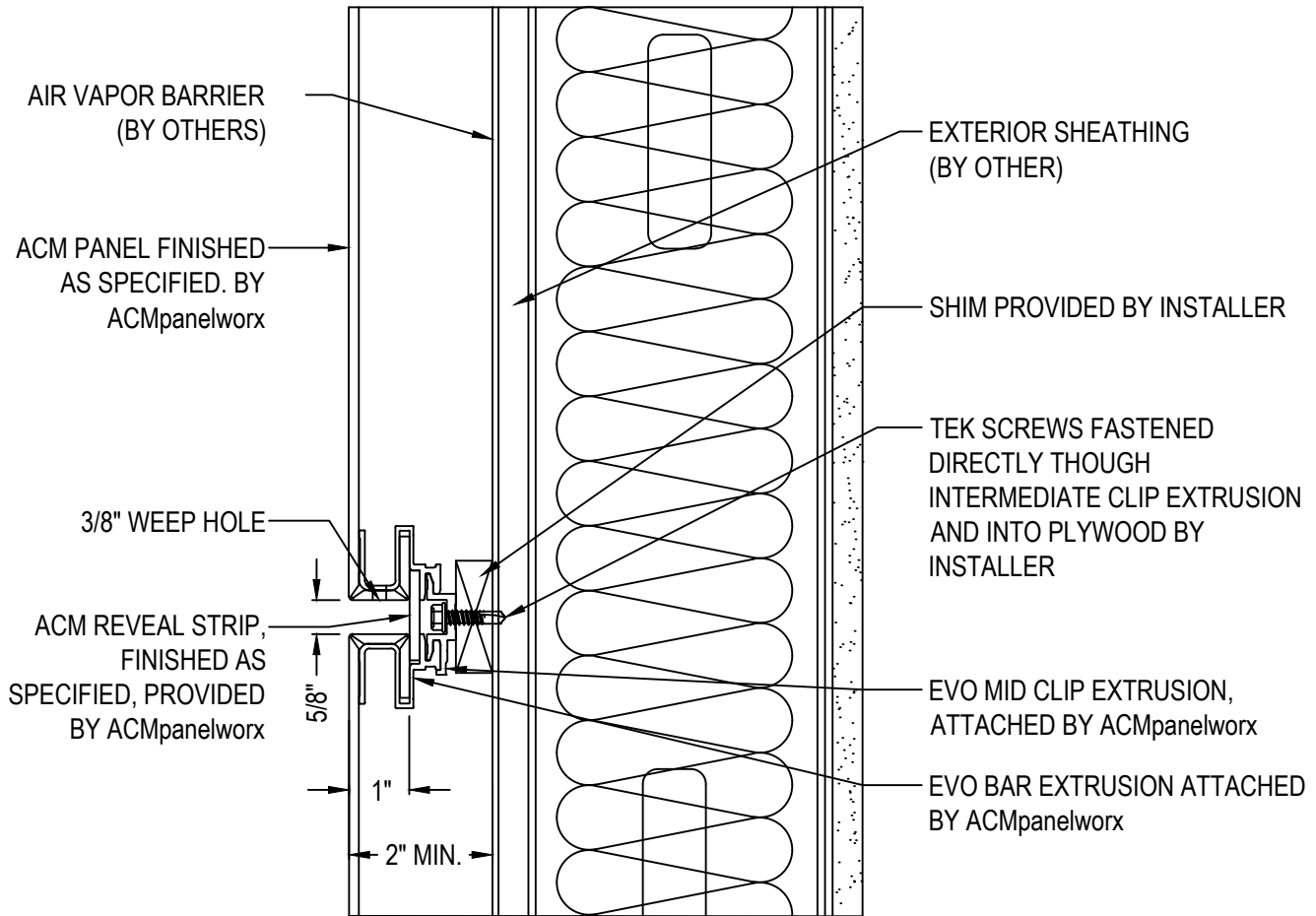
O2 PARAPET CAP ALTERNATE DETAIL



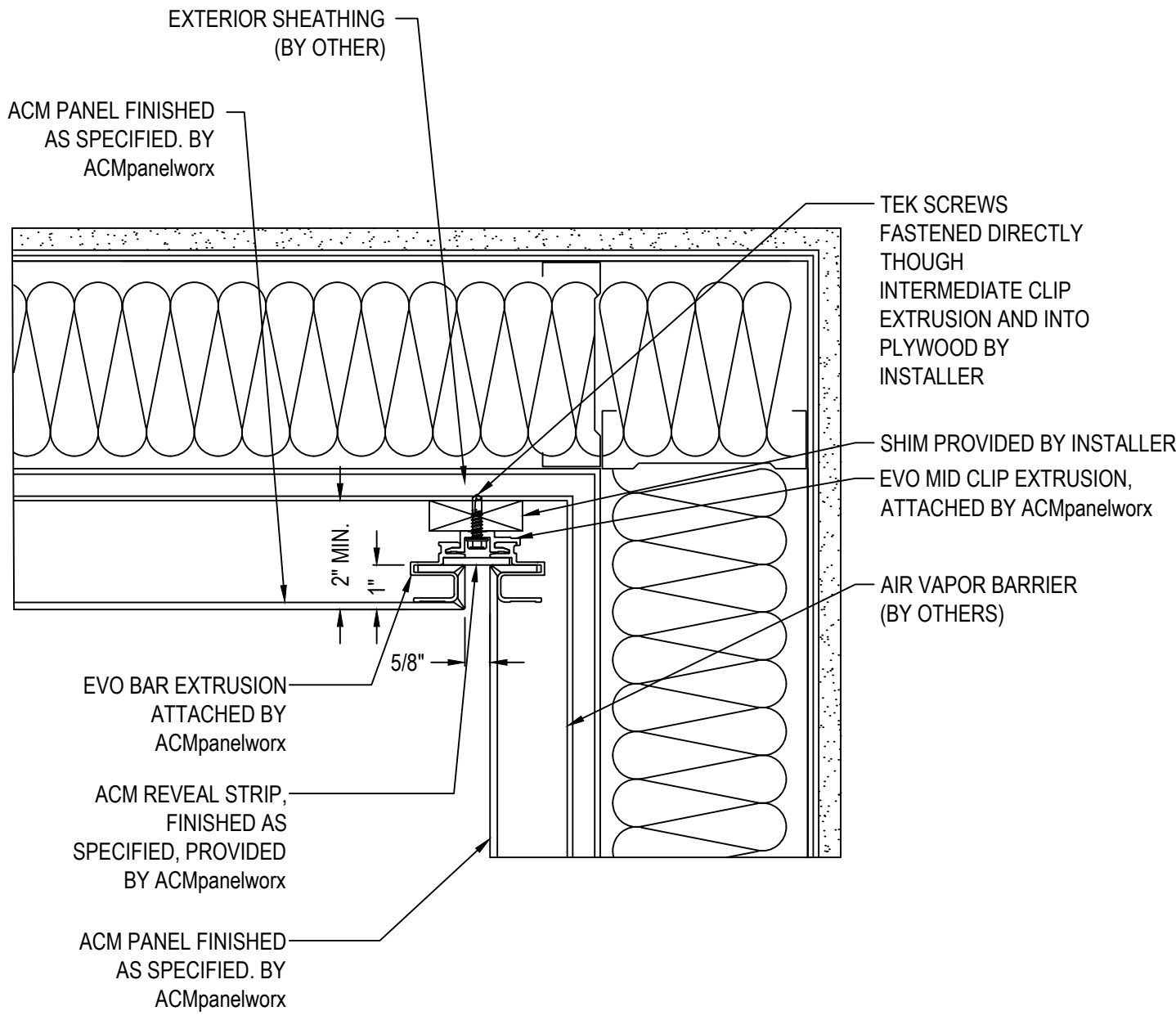
03 BASE TRANSITION AT ROOF TO WALL DETAIL



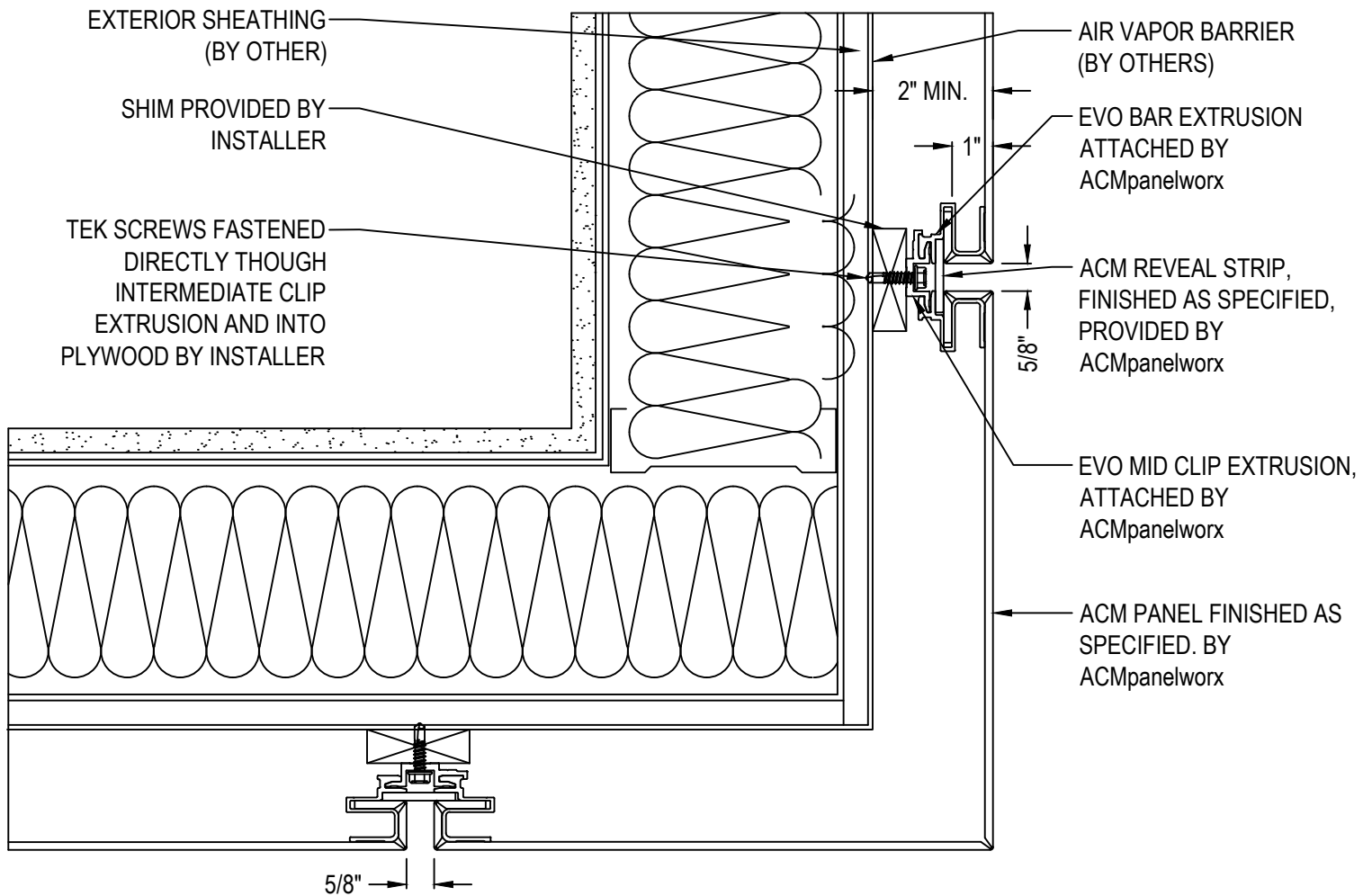
04 JAMB DETAIL



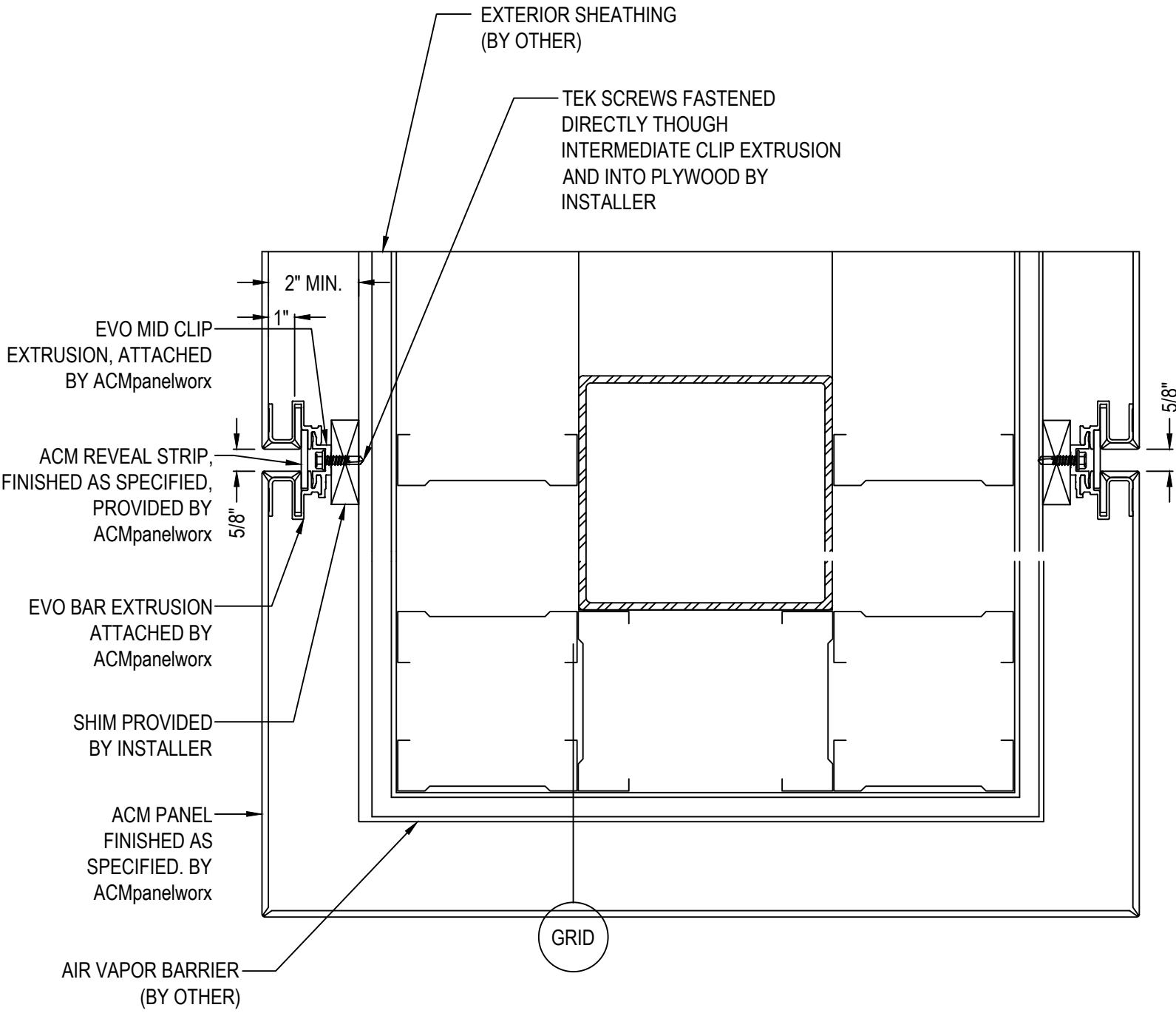
05 INTERMEDIATE JOINT



06 INSIDE CORNER DETAIL



07 OUTSIDE CORNER DETAIL

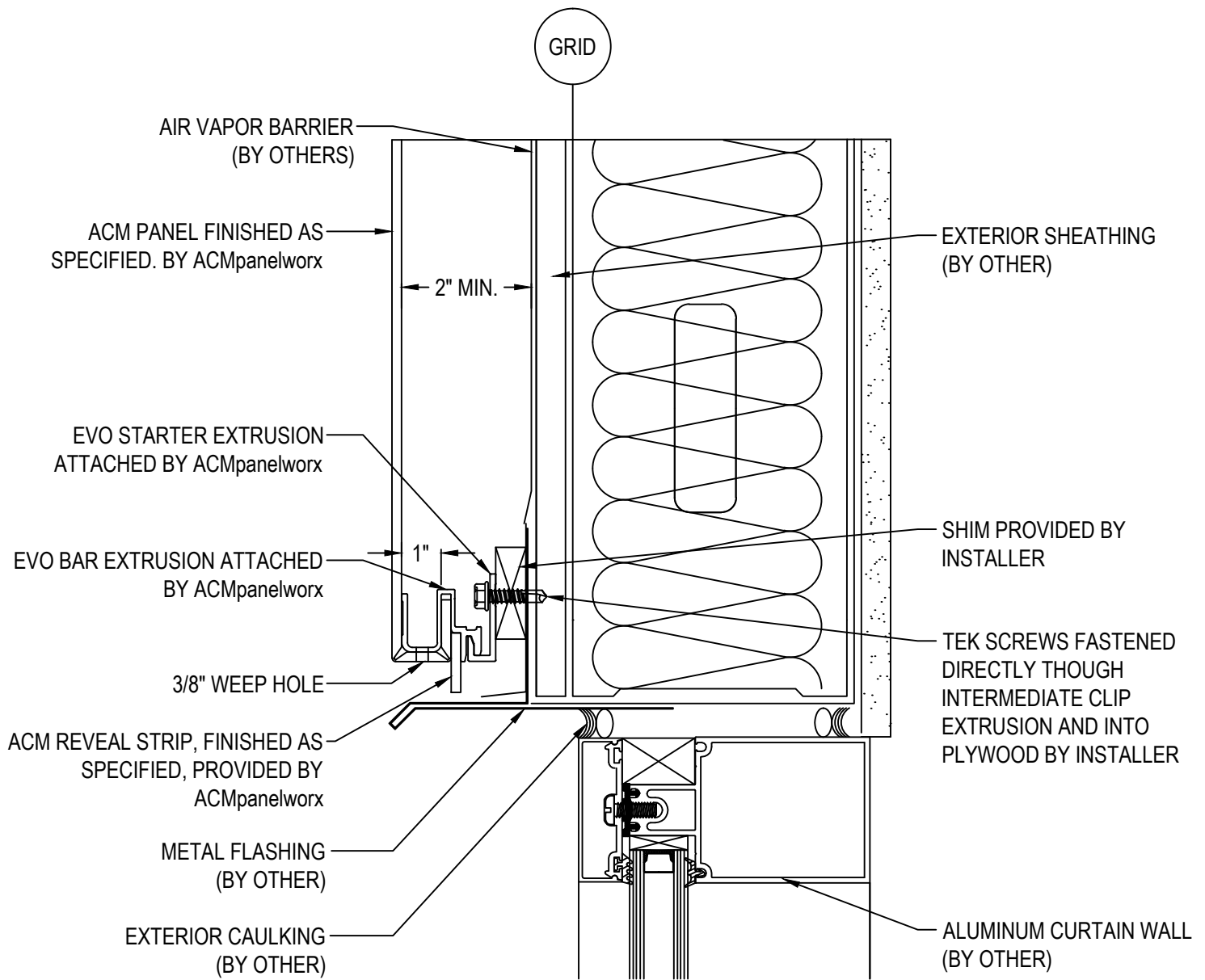


08 OUTSIDE CORNER ALTERNATE DETAIL

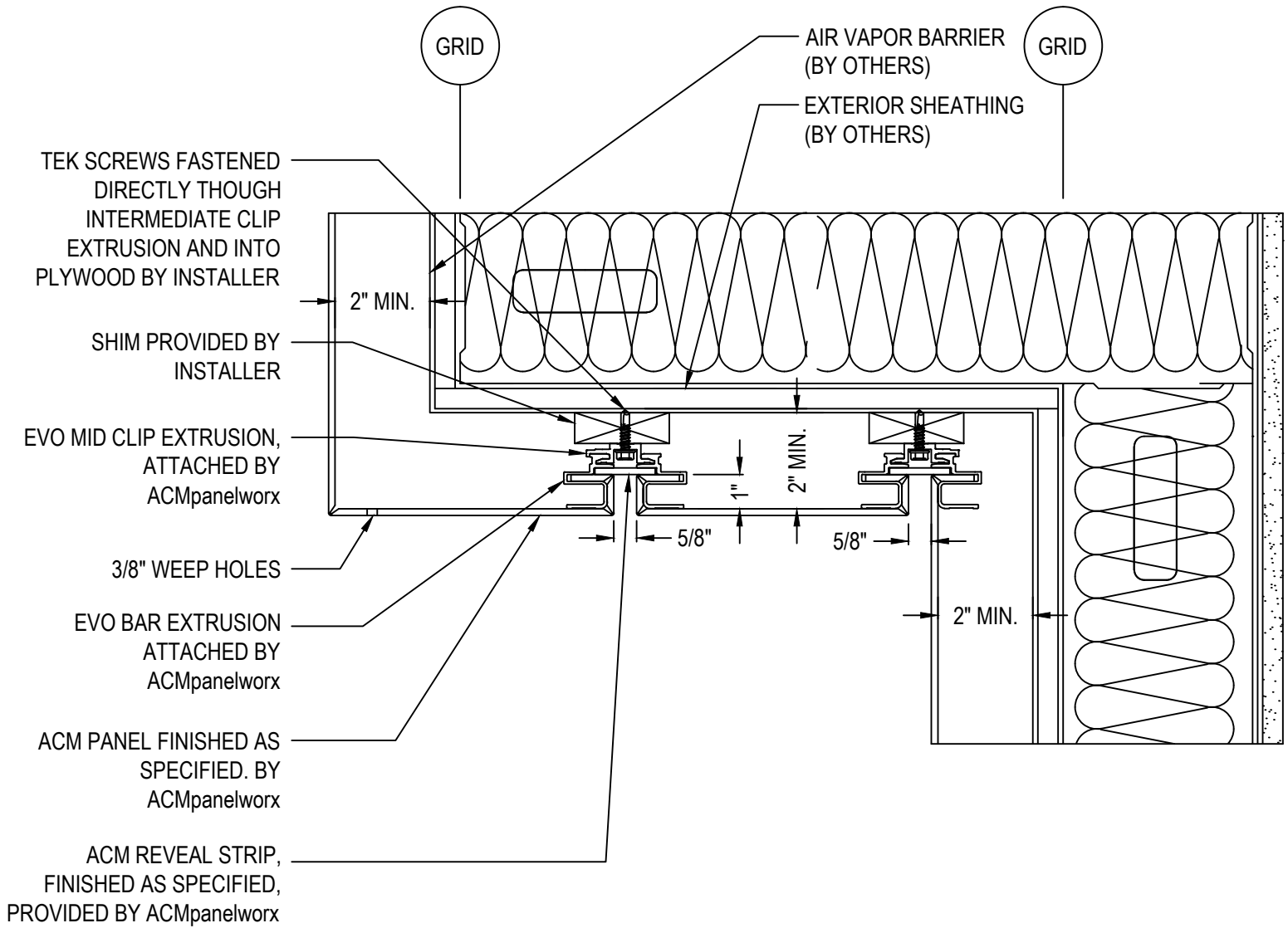


EVO RAIN SCREEN SYSTEM  
[WWW.ACMPANELWORX.COM](http://WWW.ACMPANELWORX.COM)





09 BASE TRANSITION AT CURTAIN WALL DETAIL



10 SOFFIT DETAIL