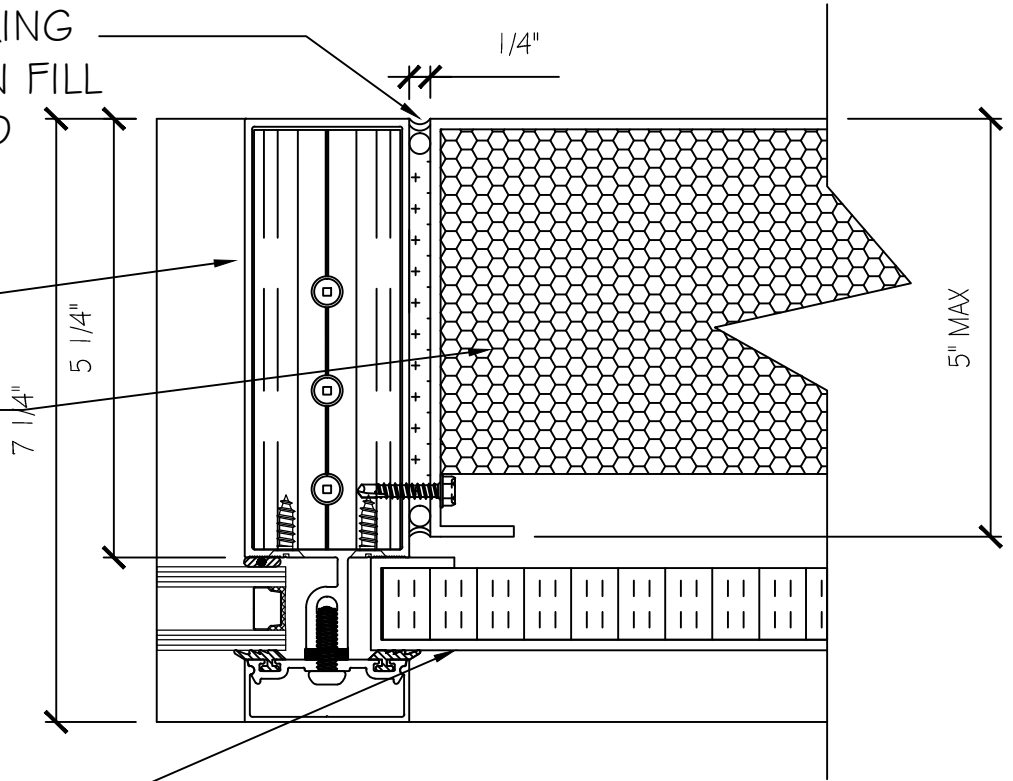


RECOMMENDED CAULKING  
AND FOAM INSULATION FILL  
BETWEEN MULLION AND  
BACK PAN.

CURTAIN WALL

BACKPAN W/ FOAM  
INSULATION FILL  
TO SPECIFIED  
DEPTH UP TO R-28

ARCTIC INFILL  
PANEL W/ RIGID  
INSULATION



## 1" ARCTIC INFILL PANEL

  
**ACM**panelworx  
COMPOSITE ALUMINUM PANELS

ARCTIC PAN  
[WWW.ACMPANELWORX.COM](http://WWW.ACMPANELWORX.COM)