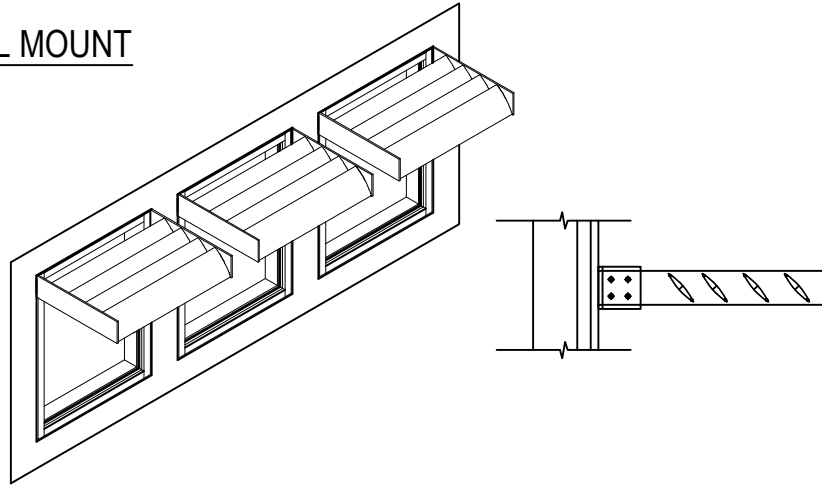
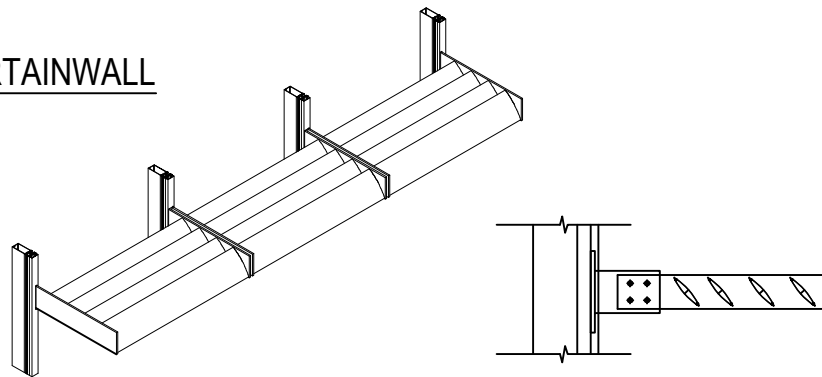


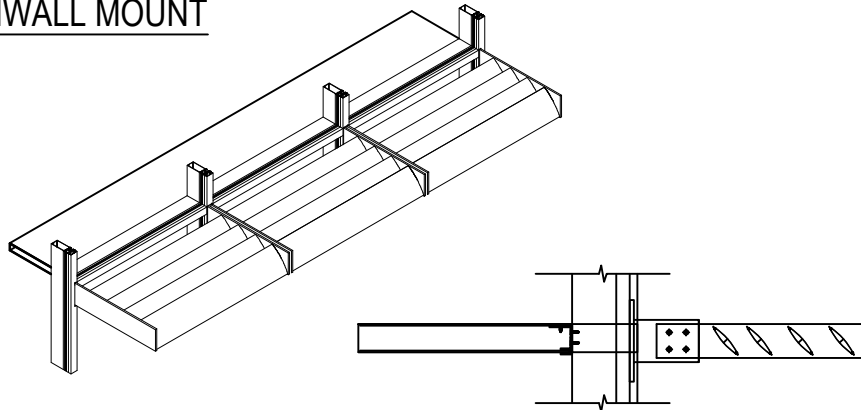
OPTION #1
PX124 WALL MOUNT



OPTION #2
PX124 CURTAINWALL
MOUNT

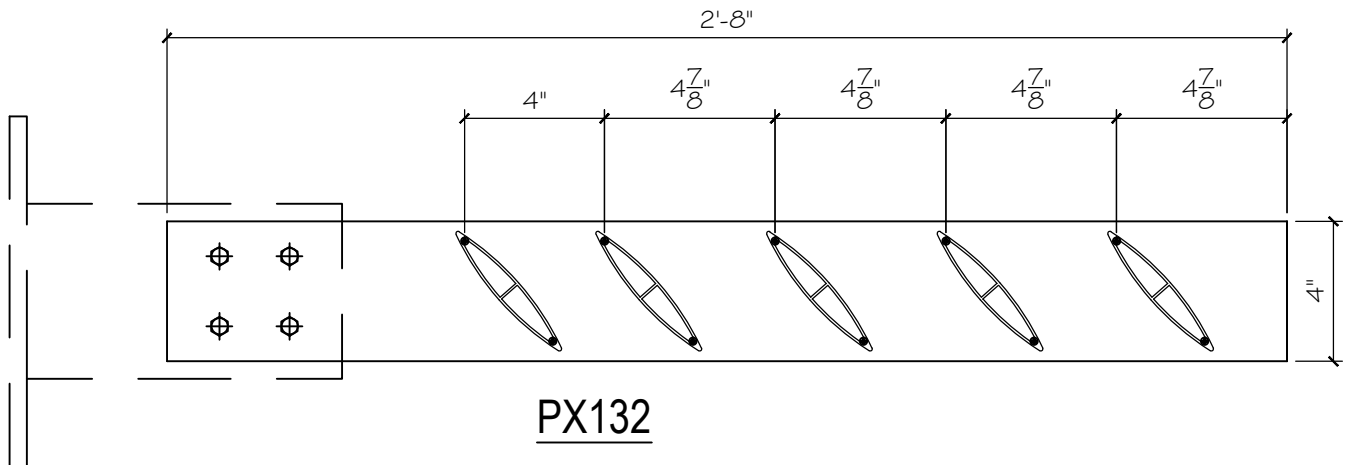
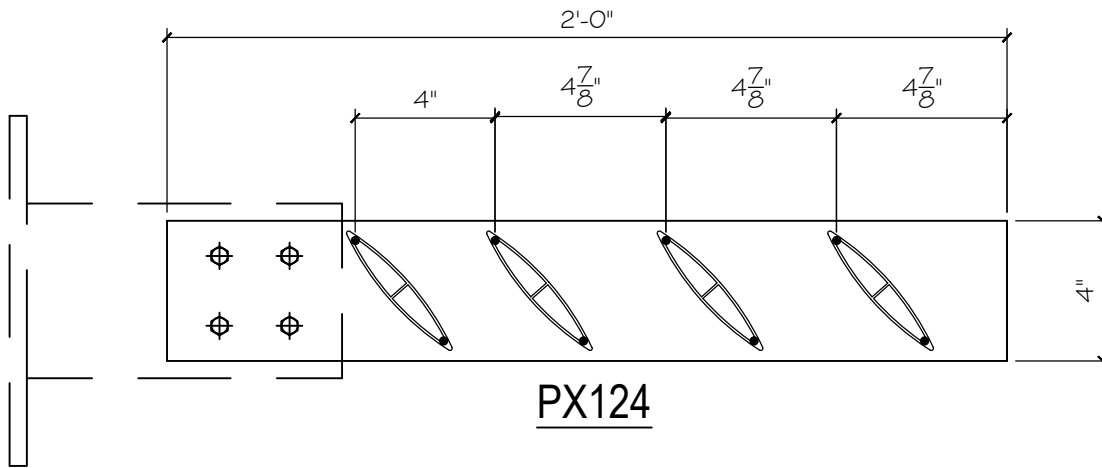


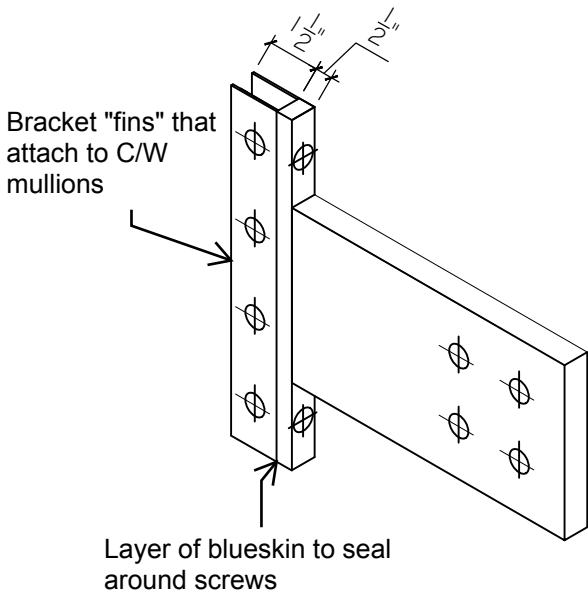
OPTION #3
PX124 & PX16LS (LIGHT SHELF)
CURTAINWALL MOUNT



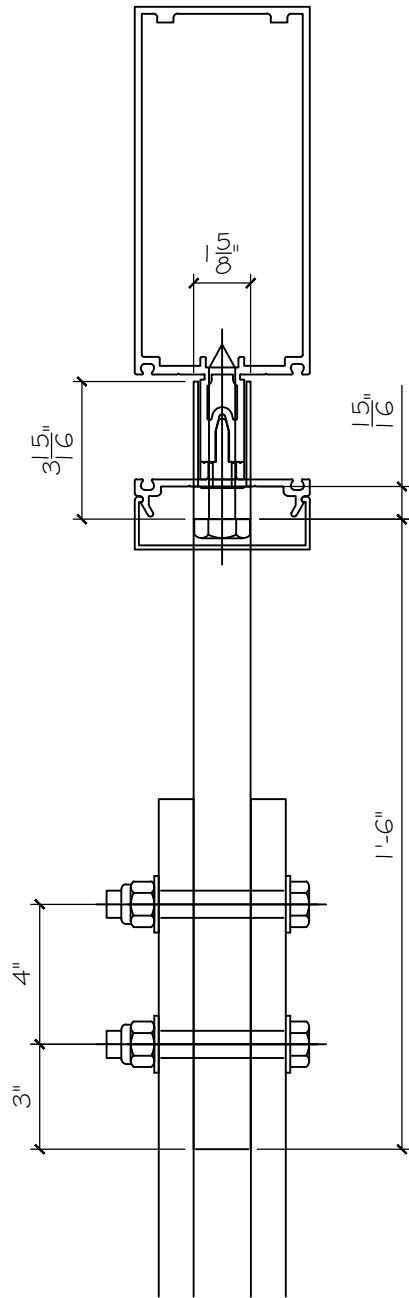
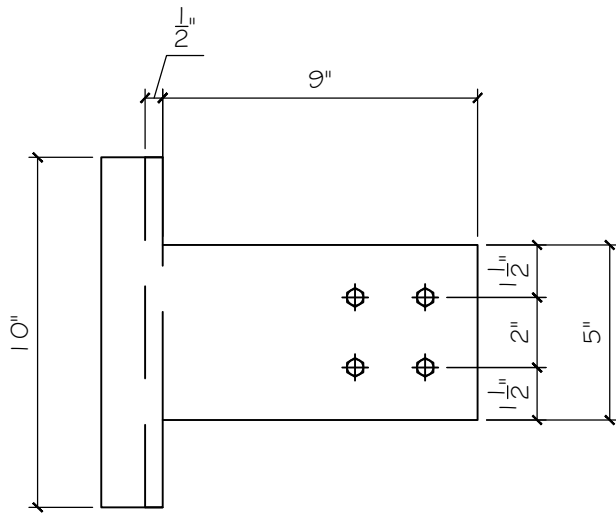
OUTRIGGER

PART NUMBER	"A" LENGTH	BLADE QTY
PX124	24 INCHES	4
PX132	32 INCHES	5



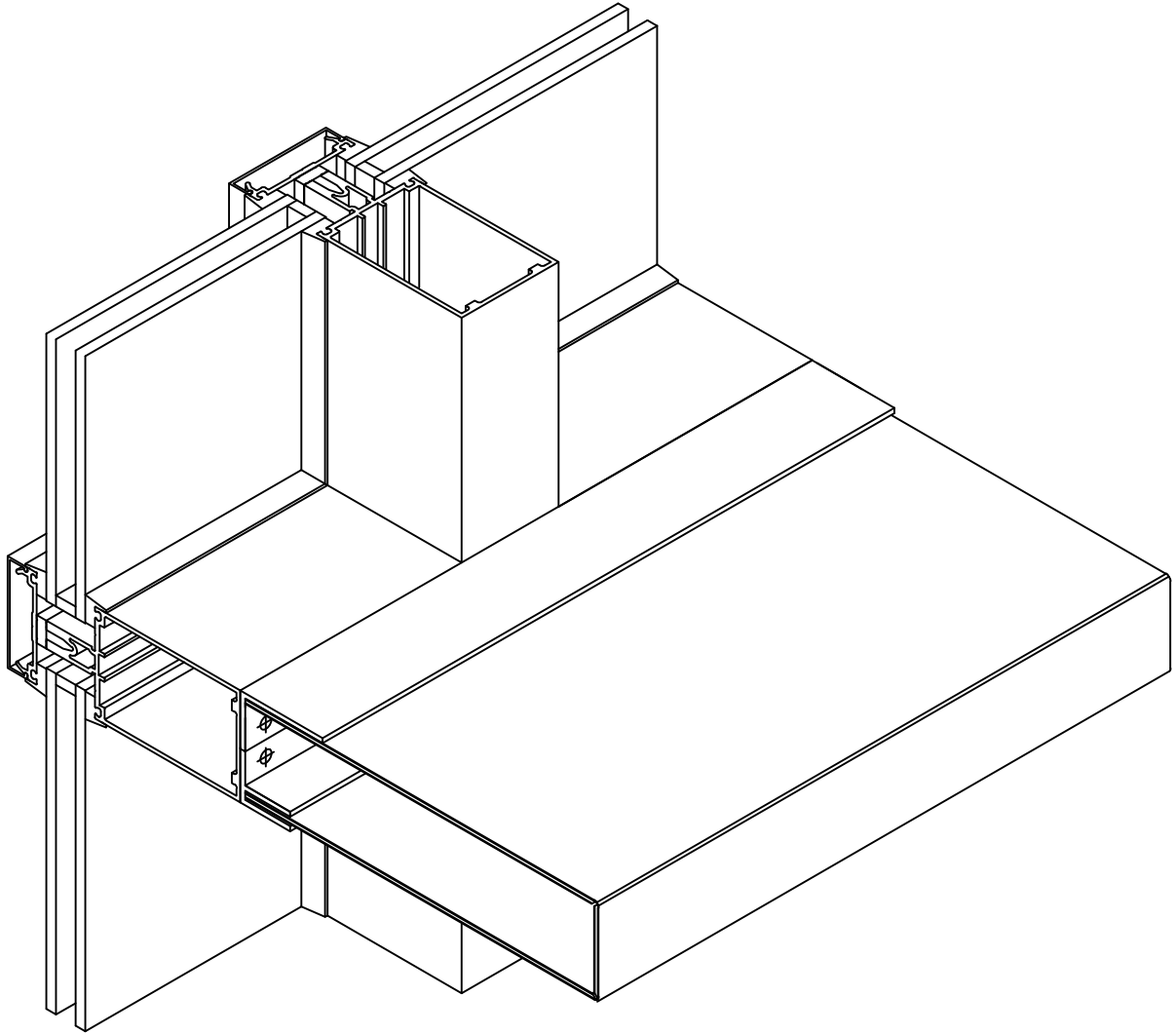


**SUNSHADE ANCHOR BRACKET
FOR 2" OR 2 1/2" CURTAINWALL**



EACH ATTACHMENT SYSTEM
IS ENGINEERED TO PROJECT
SPECIFIC REQUIREMENTS





LIGHT SHELF

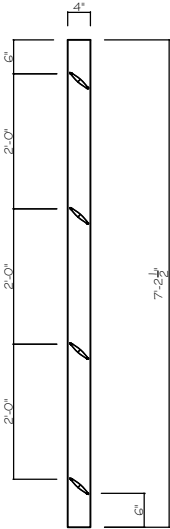
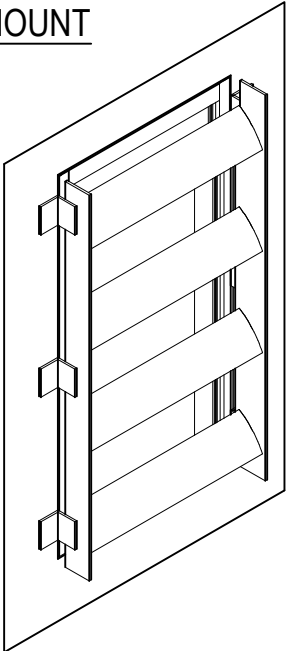
<u>PART NUMBER</u>	<u>PROJECTION</u>
PX12LS	12 " PROJECTION
PX16LS	16 " PROJECTION

NOTE: OPTION ENGINEERED
ASSEMBLIES UP TO MAX. 48"

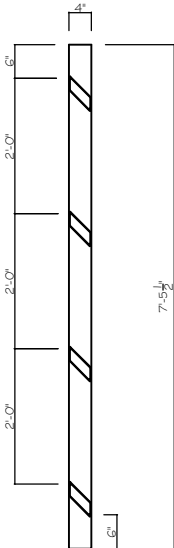
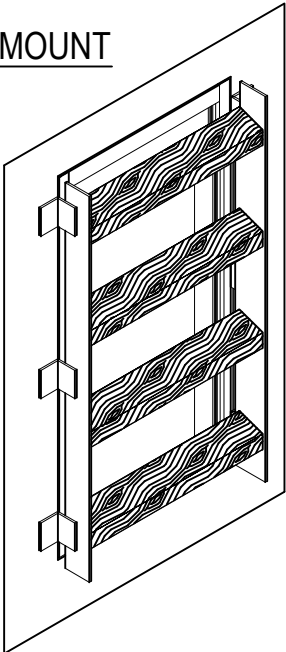


VERTICAL SUNSHADE

OPTION #1
PX1V WALL MOUNT

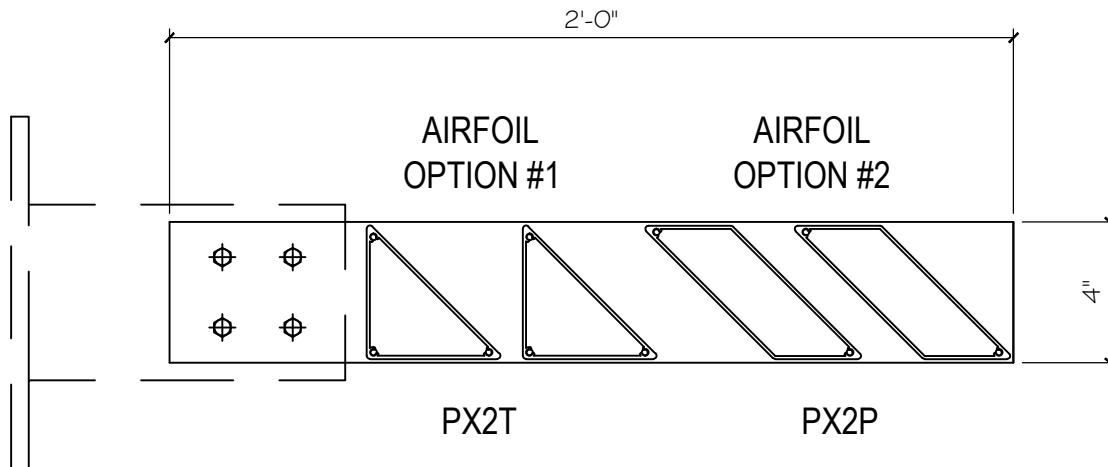


OPTION #1
PX2PV WALL MOUNT



CUSTOM ACM AIRFOIL - PX2 SERIES

PROFILE OPTIONS / MATERIAL OPTIONS



OPTIONAL AIRFOIL - ACM MATERIAL

<u>ALPOLIC - WOOD GRAIN</u>	MAPLE	4-MPL-30
	WALNUT	4-WLN-30
	MAHAGONY	4-QAE-30
<u>ALPOLIC - HLZ HAIRLINE ALUMINUM</u>		4-HLZ-80
<u>ALPOLIC - SCP PRISMATIC RED</u>		SCP-30
<u>ALPOLIC - CHOSEN FROM ALPOLIC STANDARD COLOUR CHART</u>		

