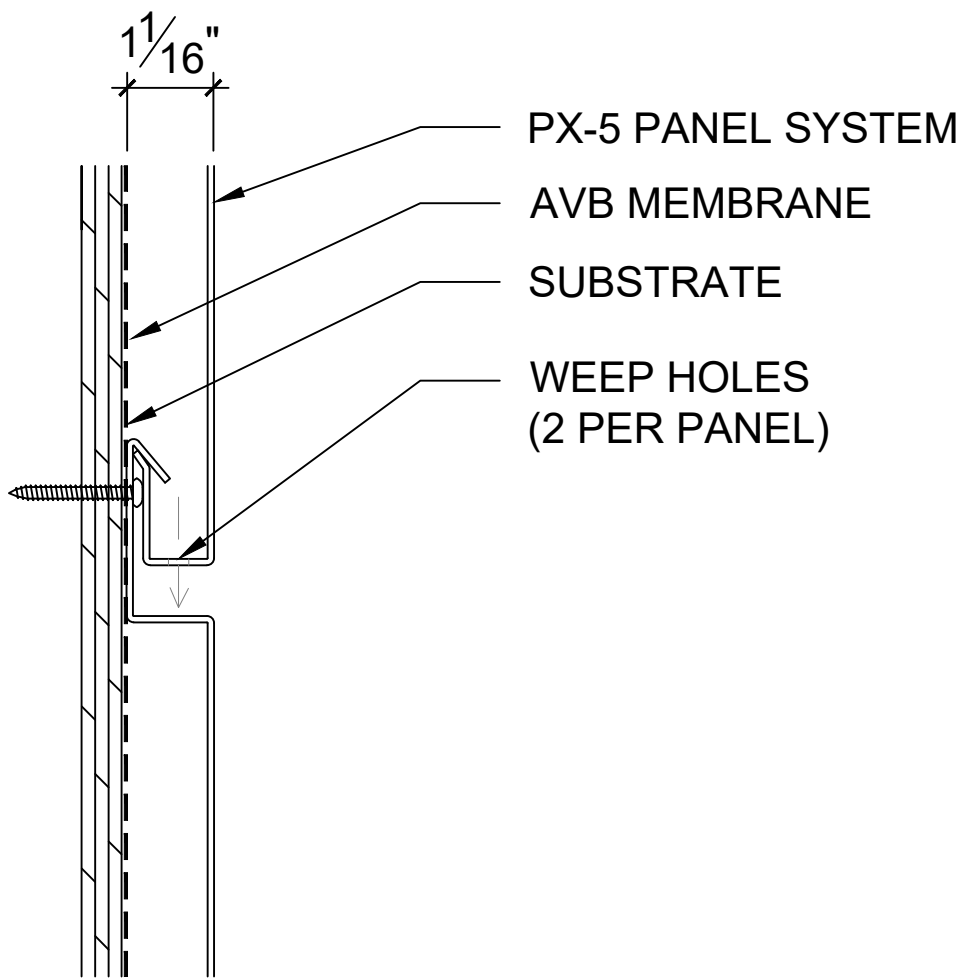
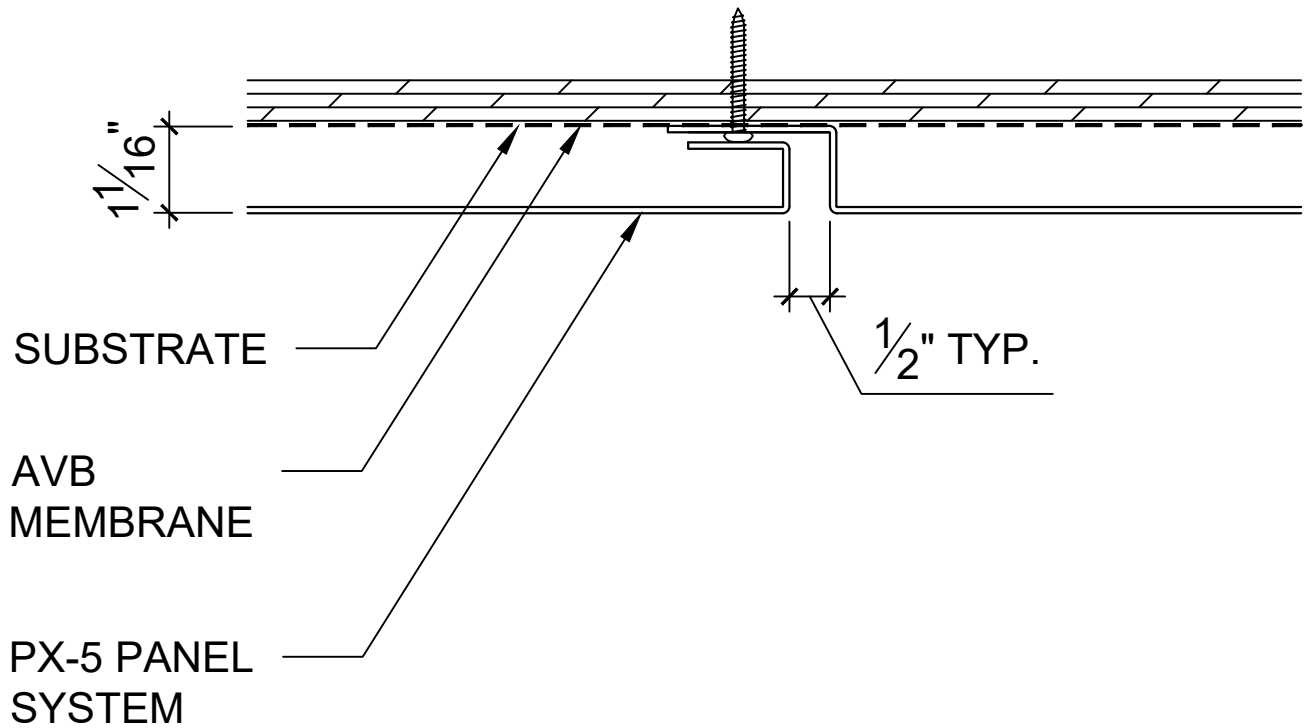


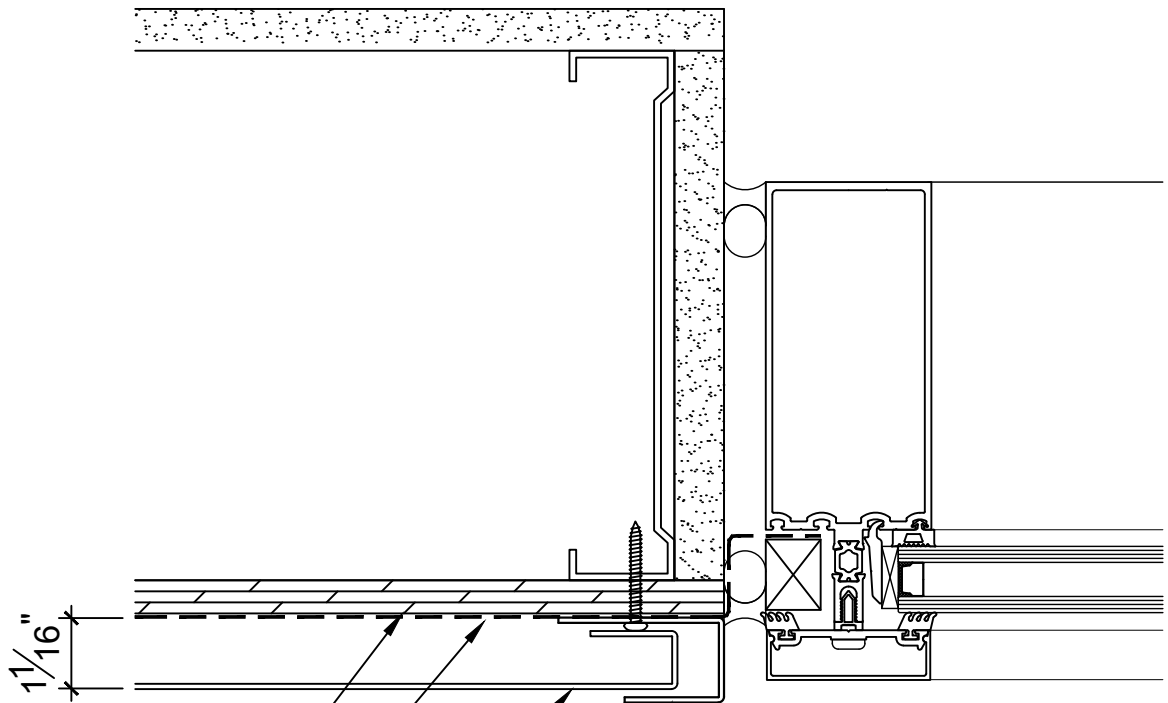
HEAD & SILL AT WINDOW DETAIL



PX-5 SYSTEM INTERMEDIATE JOINT DETAIL



PX-5 SYSTEM INTERMEDIATE JOINT DETAIL



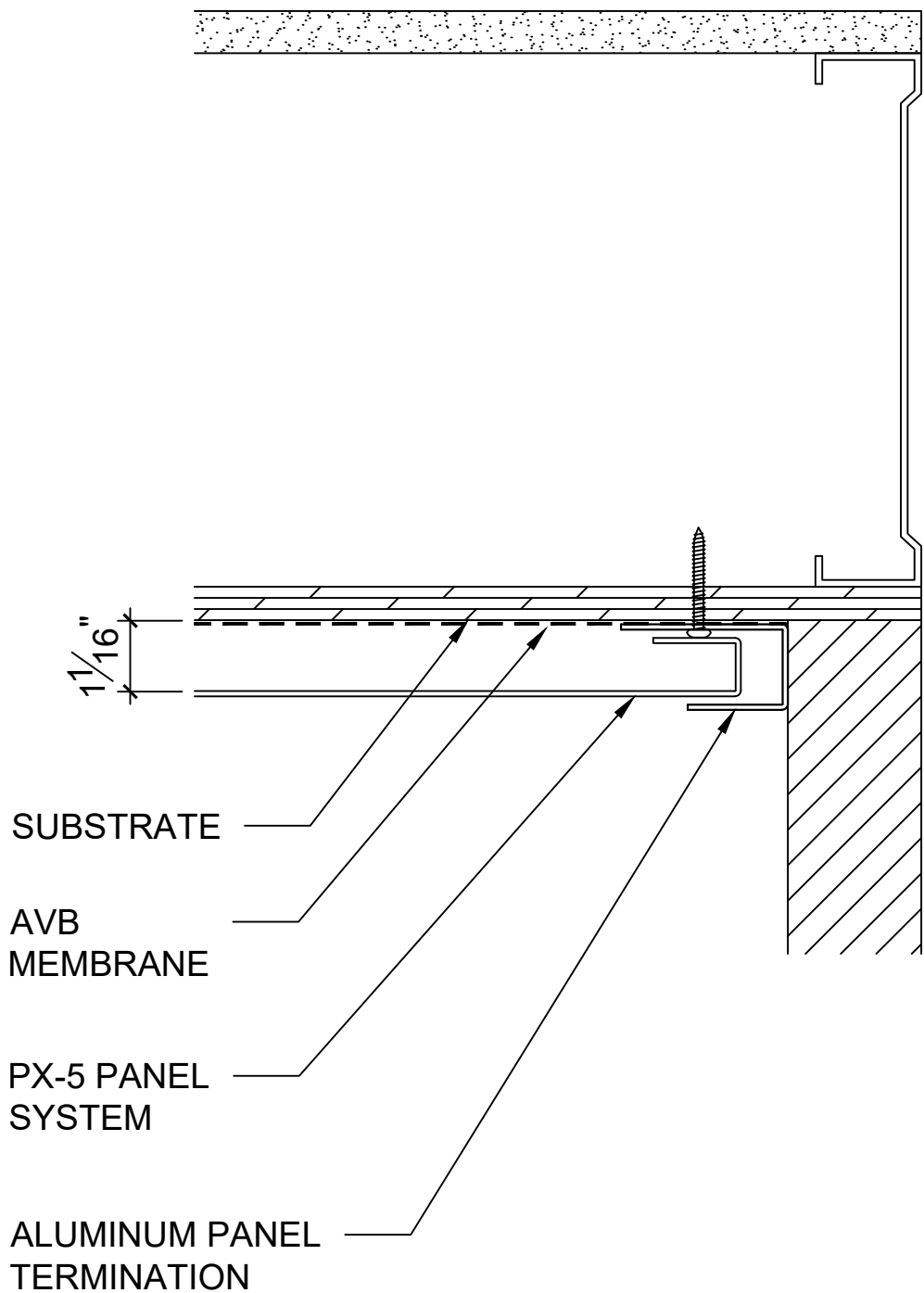
SUBSTRATE

AVB
MEMBRANE

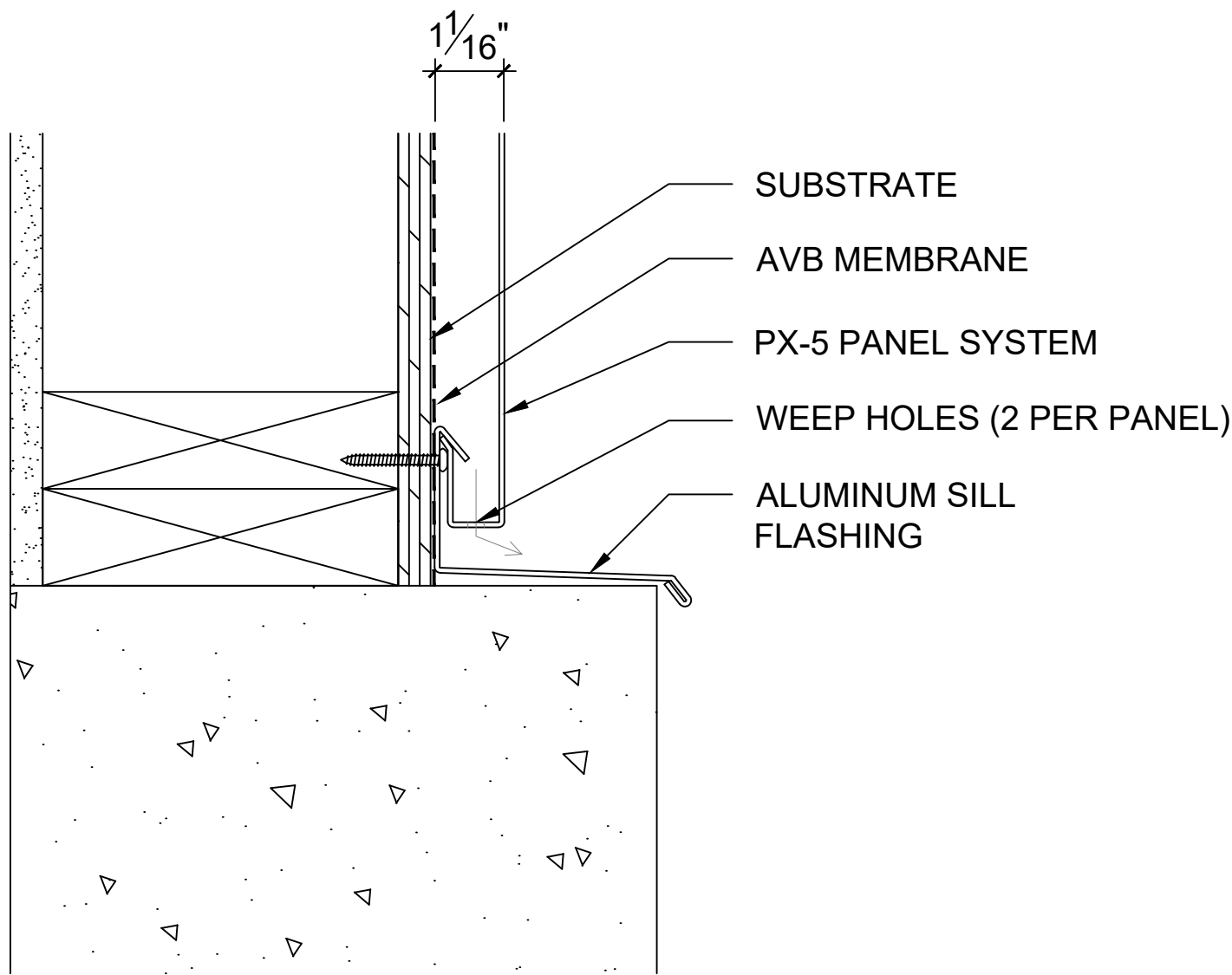
PX-5 PANEL
SYSTEM

ALUMINUM PANEL
TERMINATION

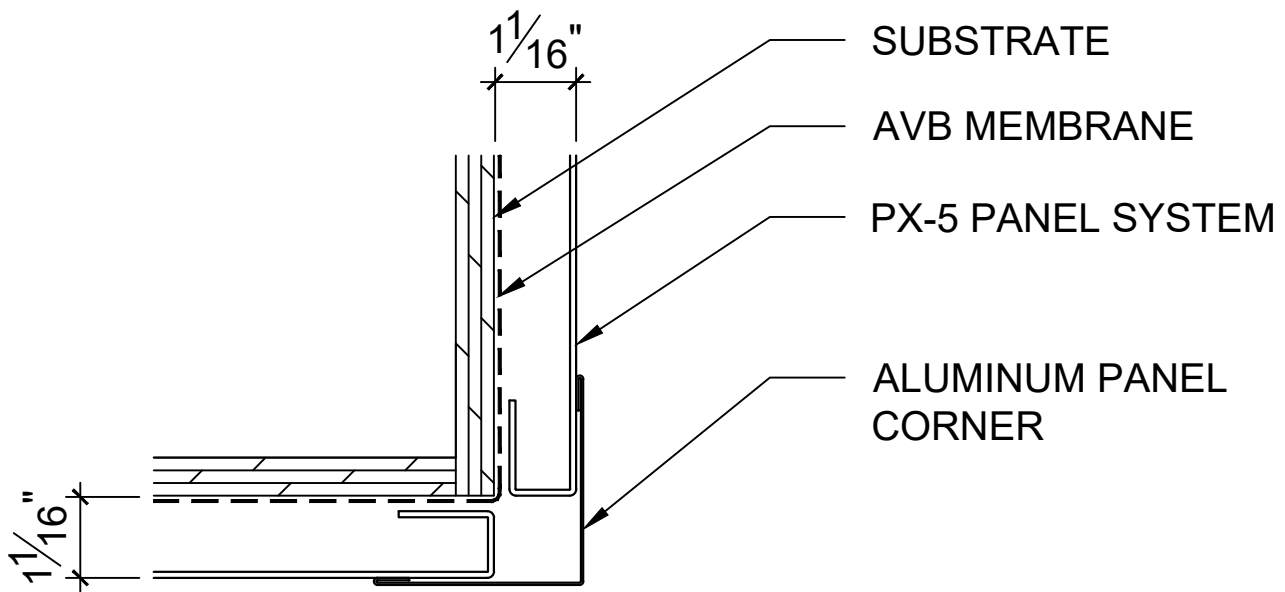
JAMB TO WINDOW DETAIL



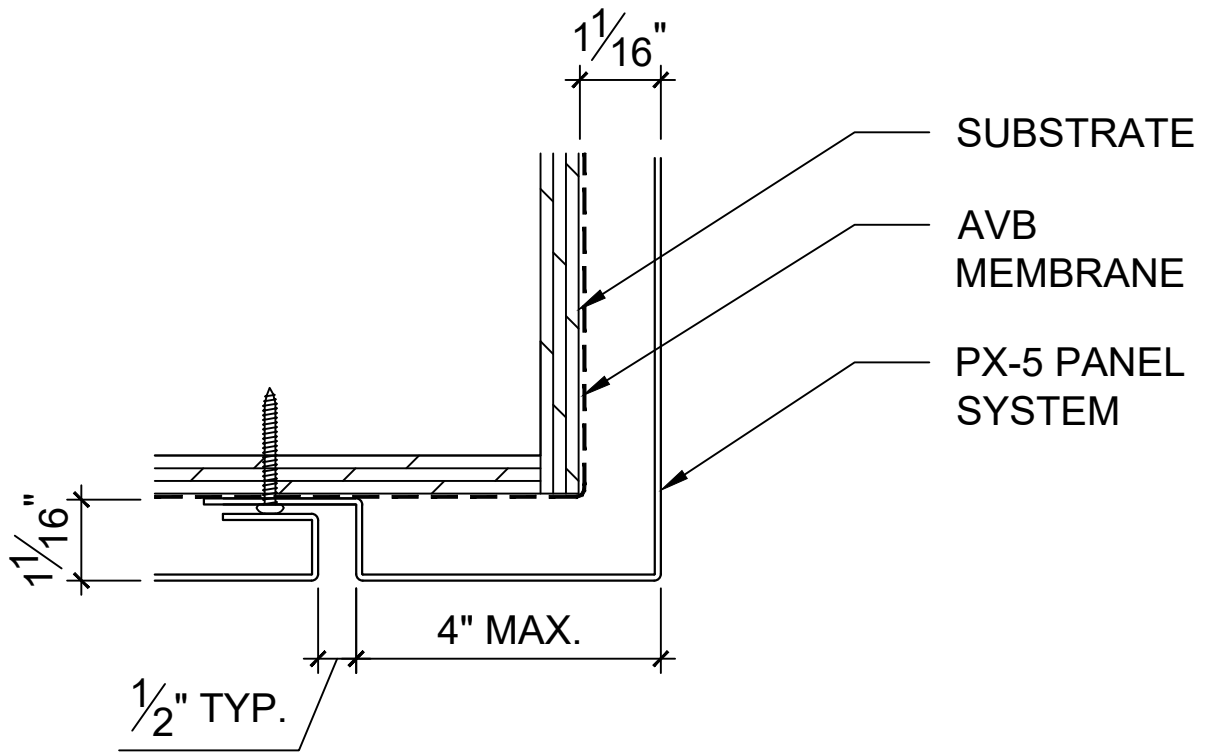
END OF RUN DETAIL



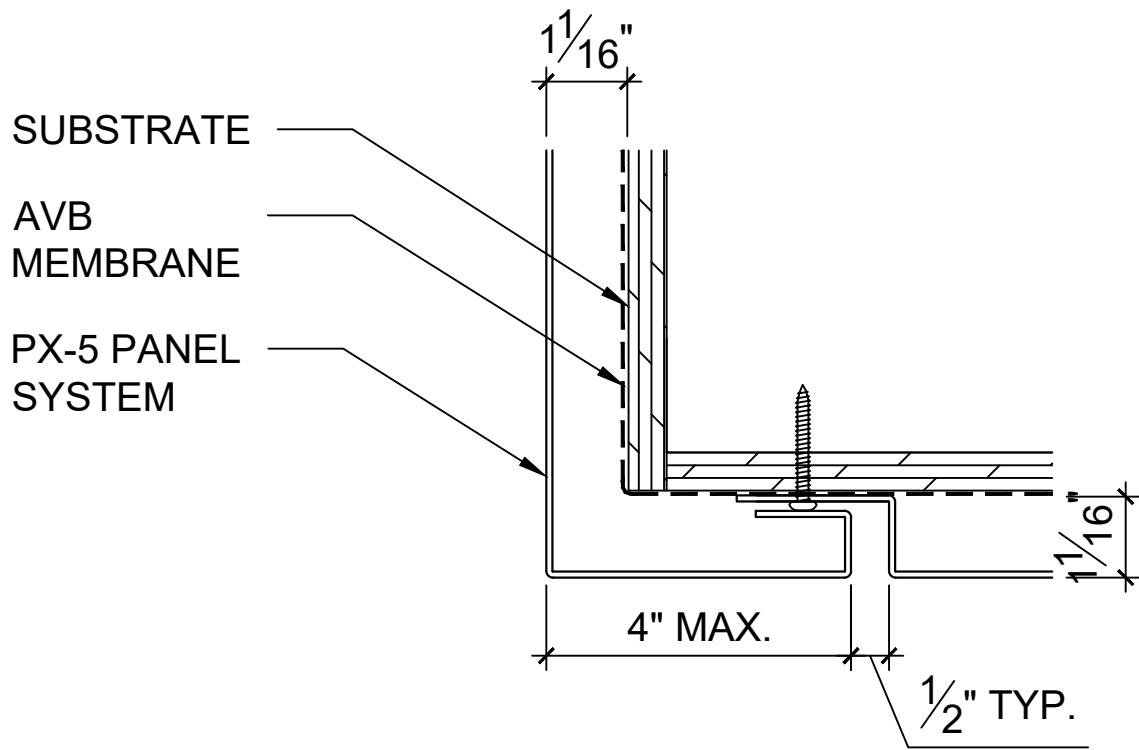
SILL DETAIL



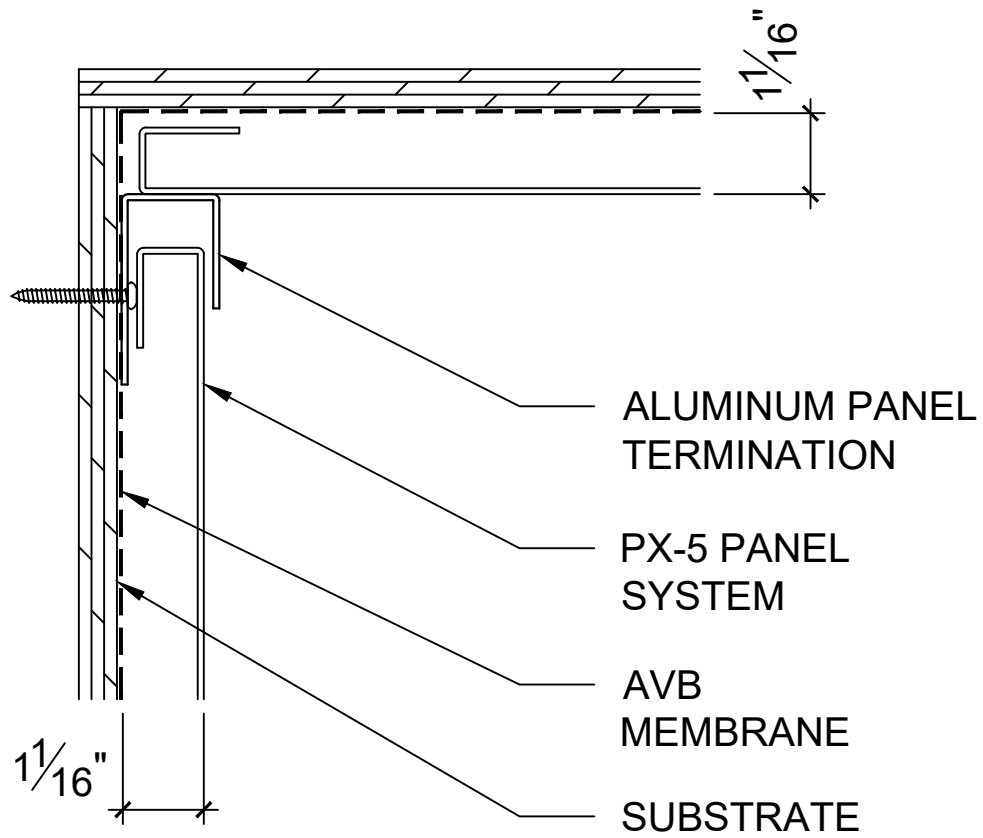
CORNER DETAIL



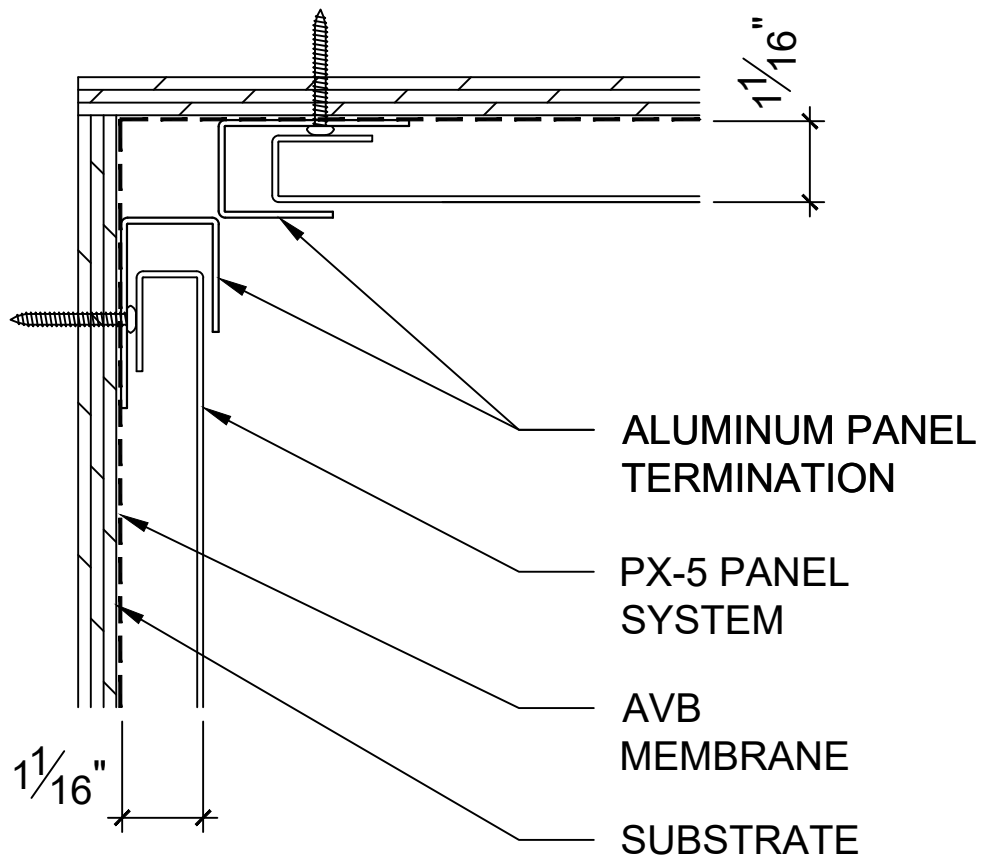
CORNER WITH RETURN (LEFT) DETAIL



CORNER WITH RETURN (RIGHT) DETAIL



INSIDE CORNER DETAIL OPTION 'A'



INSIDE CORNER DETAIL OPTION 'B'